

UNISTRUT®

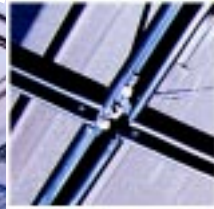


Adjustable Ceiling Grids



Ceiling grids from Unistrut let you build support flexibility into any space. Their inherent adjustability saves time and money on new construction, and makes future change fast and easy. The right support grid from Unistrut offers important advantages, both functional and aesthetic, including:

- > Ceiling support
- > Lighting support
- > Electrical support, including raceways
- > Load support for HVAC components
- > Manufacturing tool support
- > Shelving support
- > Forming decorative environmental elements
- > Creating ceiling sight lines



Made from your choice of three easy-to-assemble systems – Unistrut® Metal Framing, Telestrut® Telescoping Strut, and Telespar® Telescopic Tubing – Unistrut's support grids are easy to install. No welding, drilling or special skills are required. That can mean significant savings in time and labor cost.

In addition, Unistrut's wide range of fittings gives you a choice of design options... letting you change the system to fit your needs.

The local Unistrut service centers also offer complete design and installation services... further simplifying your project.

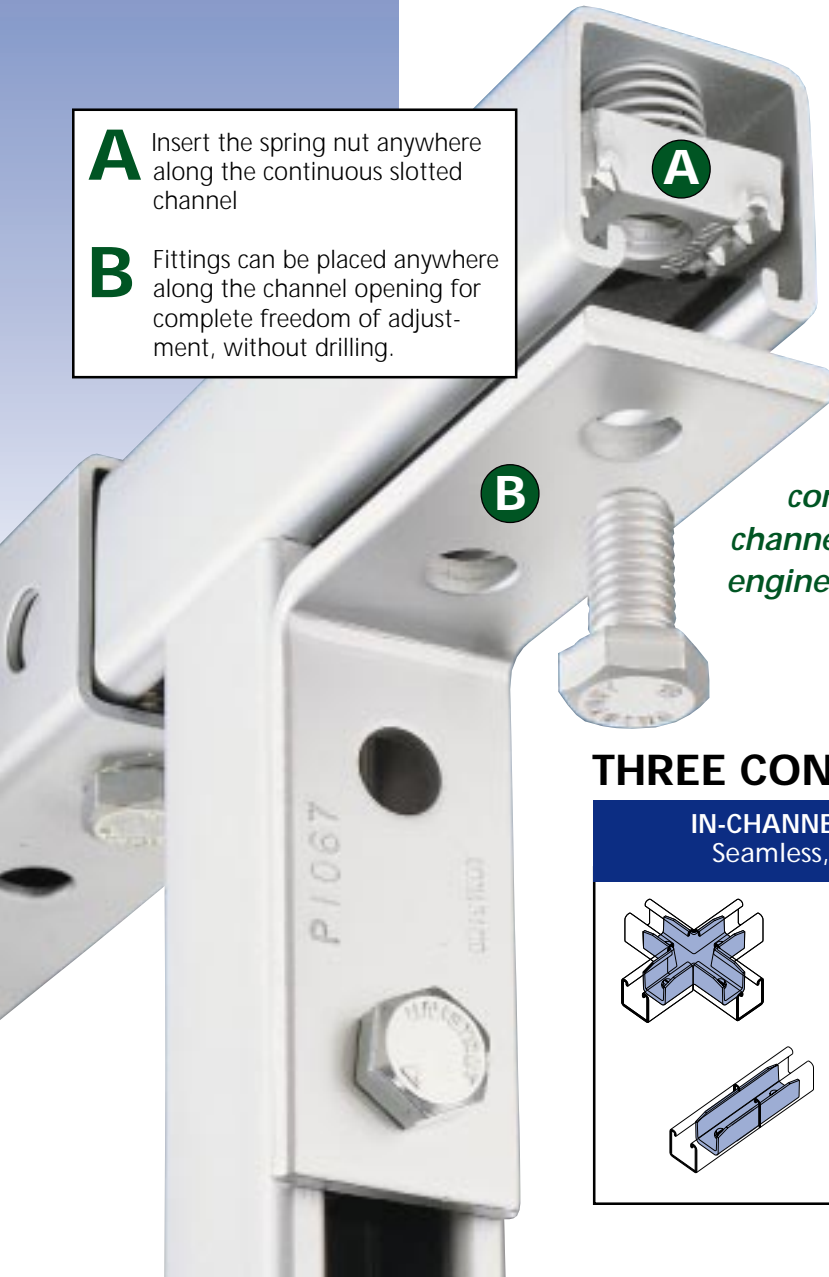
Unistrut Adjustable Ceiling Grids

*The support you need today,
the flexibility you'll want tomorrow.*

Used extensively in industrial and commercial construction markets for over 60 years, Unistrut Metal Framing has set the standard for product design, quality and performance. The initial Unistrut concept — a simple spring nut and bolt connecting a fitting to a continuous slotted channel — has evolved into a comprehensive engineered grid system.

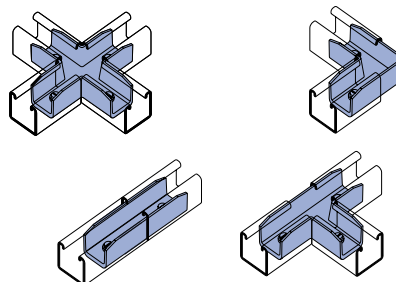
A Insert the spring nut anywhere along the continuous slotted channel

B Fittings can be placed anywhere along the channel opening for complete freedom of adjustment, without drilling.

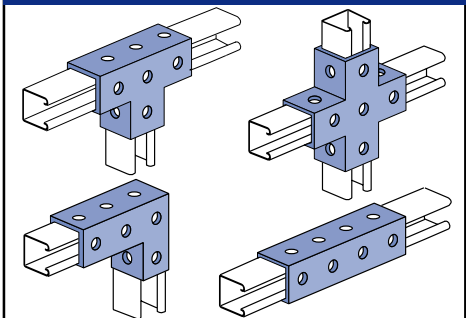


THREE CONNECTION OPTIONS:

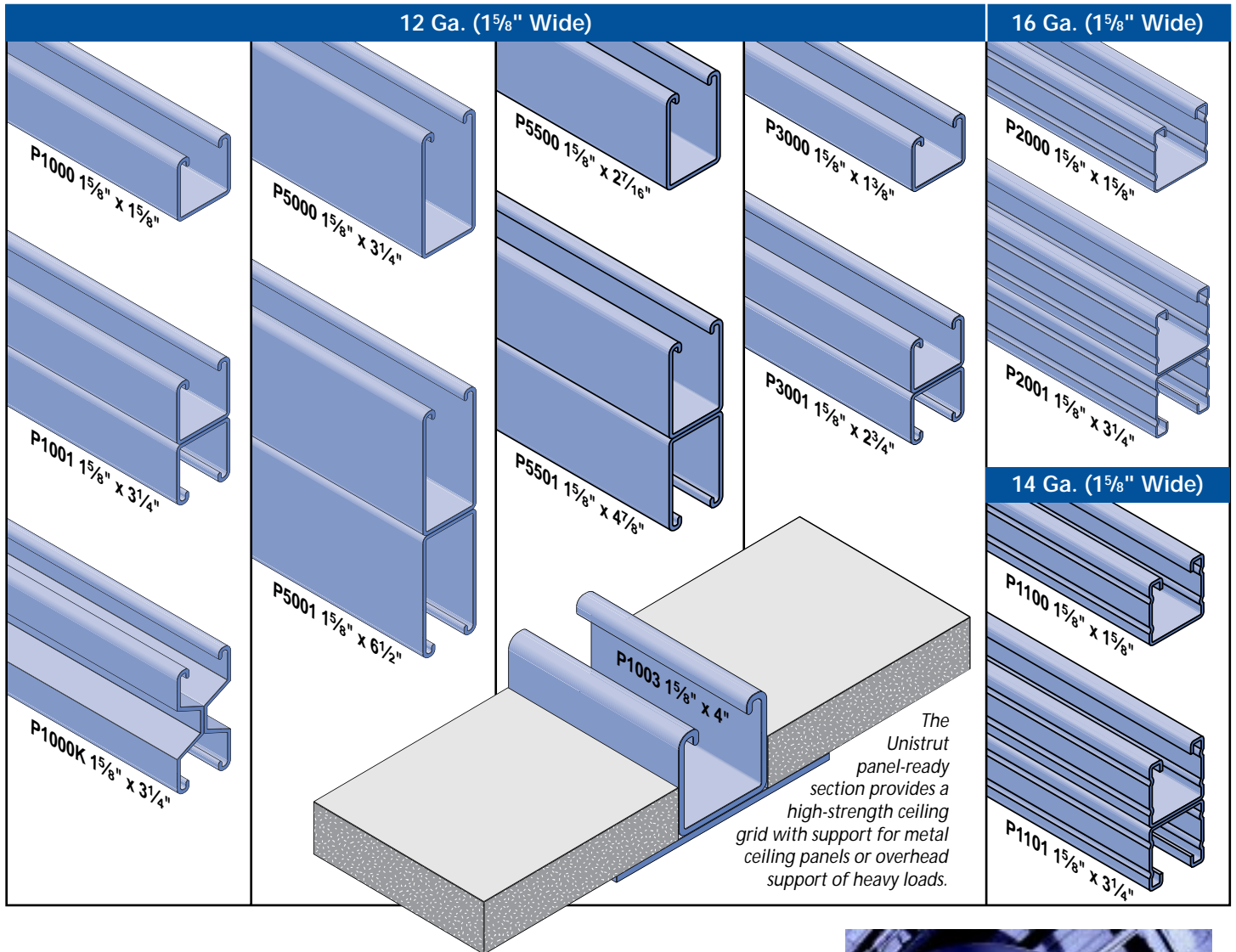
IN-CHANNEL JOINERS
Seamless, invisible



SOCKET FITTINGS (1 7/8")
Strong, fast and easy (Special order only)



There's A World of Support for your adjustable grid



INFINITE POSSIBILITIES

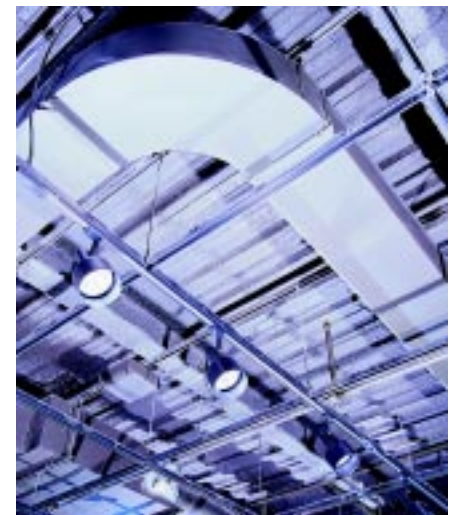
Unistrut Metal Framing is available in various sizes and styles, numerous combinations and two standard widths: 1 5/8" (42mm) and 1 1/4" (32mm). Hundreds of fittings and accessories let your support grid meet virtually any application requirement.

THE RIGHT CHOICE... FROM START TO FINISH

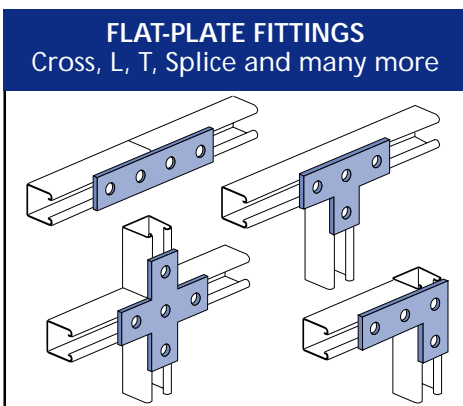
Independent tests show that Unistrut Metal Framing's exclusive Perma-Green® II acrylic coating stands up to harsh salt spray and U.V. conditions better than competitive products, so your projects look great from the start, and stay that way longer. Unistrut Metal Framing is also available in a choice of other standard finishes, including pre-galvanized, hot-dipped galvanized, and plain, as well as various custom finishes.

INFINITELY EASY

Unistrut offers a variety of compatible clamps, fittings and accessories that provide quick, secure support for conduit, pipe, lighting fixtures, mechanical devices and more.



Attachments to a finished Unistrut Metal Framing grid can be made anywhere along the channel with one hand, using only a simple hand wrench. Forget the welding, drilling and other time-consuming fastening methods required with other materials.





Telespar Telescopic Tubing's unique manufacturing method permits tubular sections of different sizes to easily telescope in the next larger size. Combined with its prepunched holes, 1" centers and self-aligning fittings, Telespar tubing offers convenient installation and easy incremental adjustability.

A Unique corner weld produces close tolerances for easy adjustability and design flexibility without costly on-site fabrication.

B Sections without holes are also available in sizes from 1" to 2½" square.

C Holes are 7/16" diameter on 1" centers except for 1" and 1¼" sections which have 11/32" holes.



...The High-Strength System with a "Tech-Look" Design

STRONG CHOICE

When you need to suspend heavy tools and equipment, Telespar tubing's square shape and heavy-gauge material provide exceptional load-bearing capability and torsional stability. At the same time, its clean, square design and closely spaced holes make a strong interior design statement.

STRONG SELECTION

Telespar standard perforated tubing comes in eight sizes, from 1" to 2½" square with holes on all four sides. Hole patterns may be special ordered on 1, 2, or 3 sides. Sections without holes are also available in sizes from 1 to 2½" square.

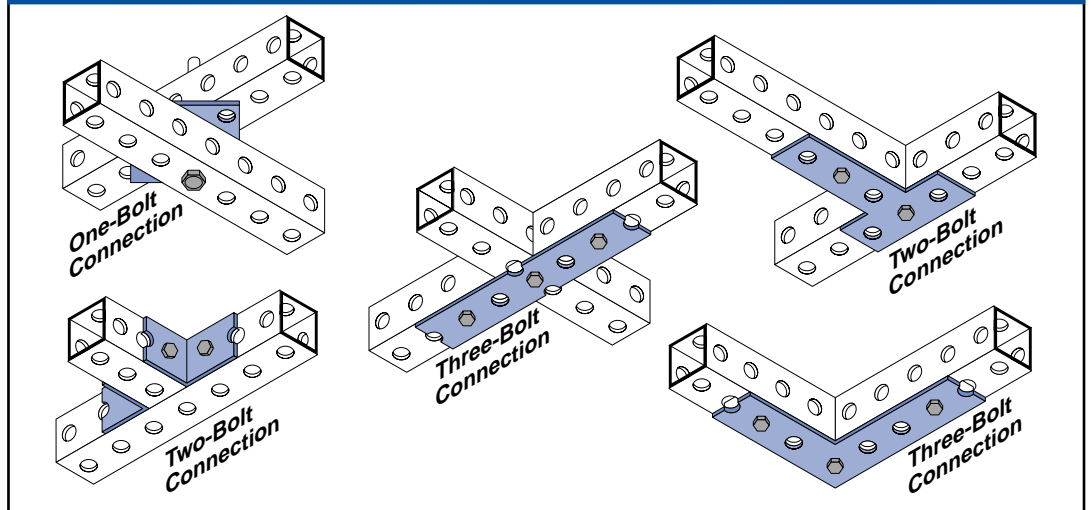
STRONG CONNECTIONS

The Telespar system includes a complete line of zinc electroplated fittings, fasteners and accessories for splicing, connecting and extending your ceiling grid. Fittings are self-positioning and lock in place automatically, thanks to "dimples" that match the holes in the Telespar Tubing section. The result is a solid connection with fewer bolts — a time and money-saving advantage on every project.

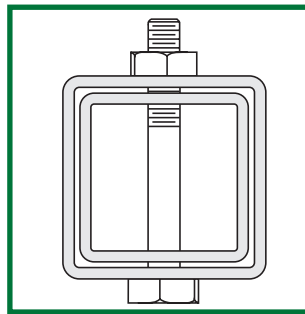
STRONG SUPPORT

As with all Unistrut support systems, Telespar Telescopic Tubing comes with the full support of your nearby Unistrut Service Center... one of the strongest reasons of all to choose the Telespar system for your support grid.

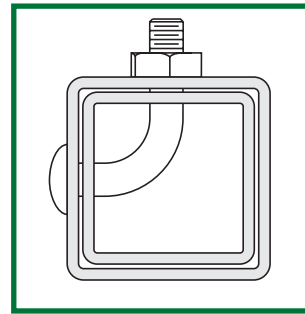
Self-aligning, dimpled fittings provide quick and easy assembly, for faster, more accurate project completion.



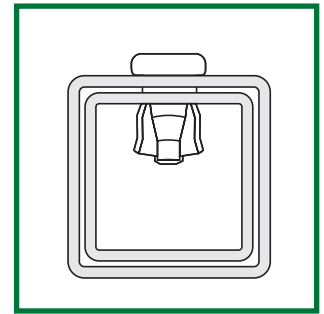
THREE FASTENING OPTIONS:



Through Bolt



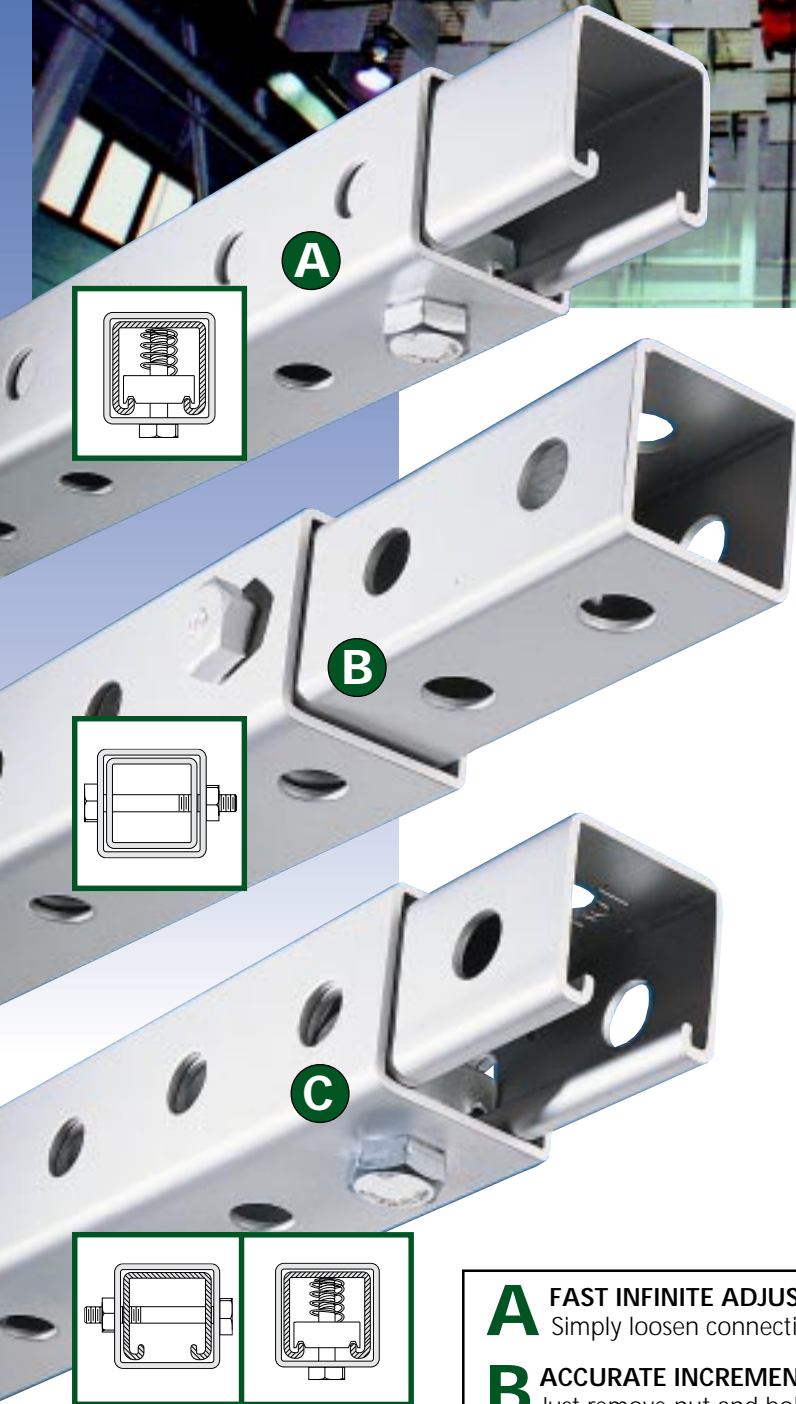
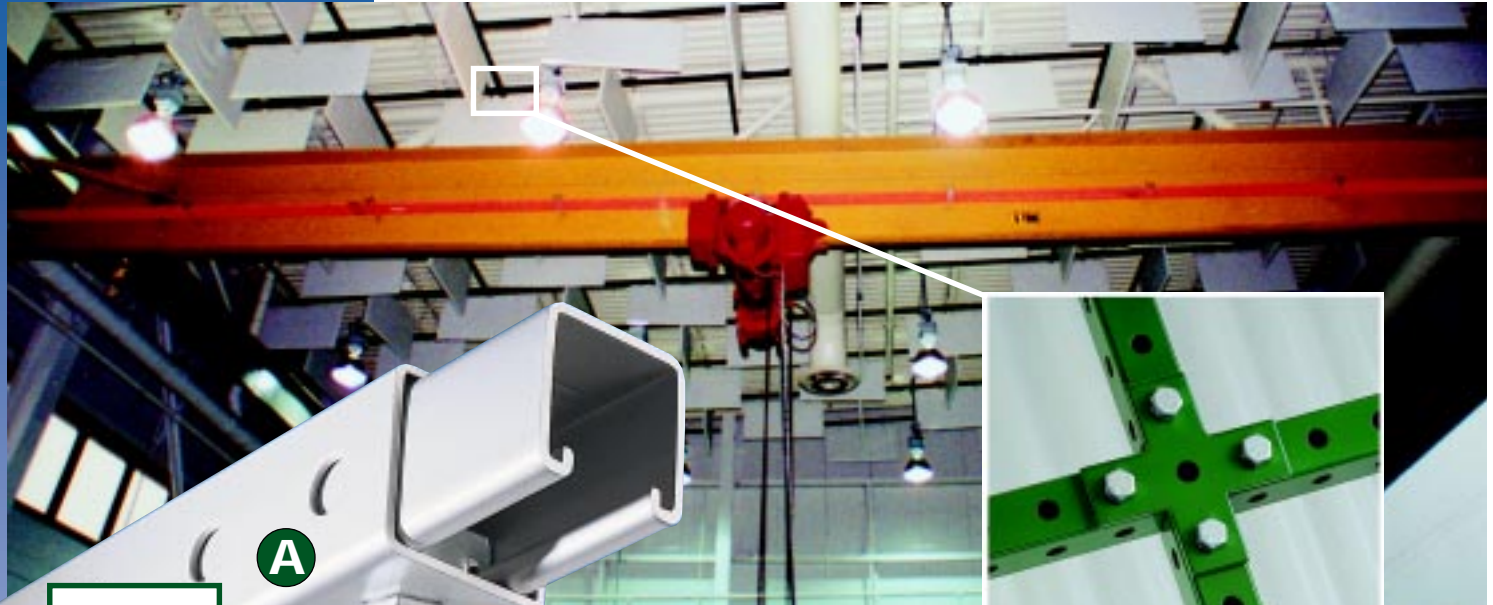
Corner Bolt



Drive Rivet

Available in 10, 12, and 14 gauge steel, Telespar tubing has been solving industry problems for many years, yielding significant savings in time and labor costs. Finishes include pregalvanized, Perma Green®, plain or custom painted.





With Telestrut's special grid support fittings, your project takes shape fast. The Telestrut system offers special socket fittings that make intersecting connections simple and adjustable. This can provide cumulative width or length adjustability with no special cutting of sections needed. That means whatever form your support grid project needs to take, Telestrut can make it happen... quickly and easily.

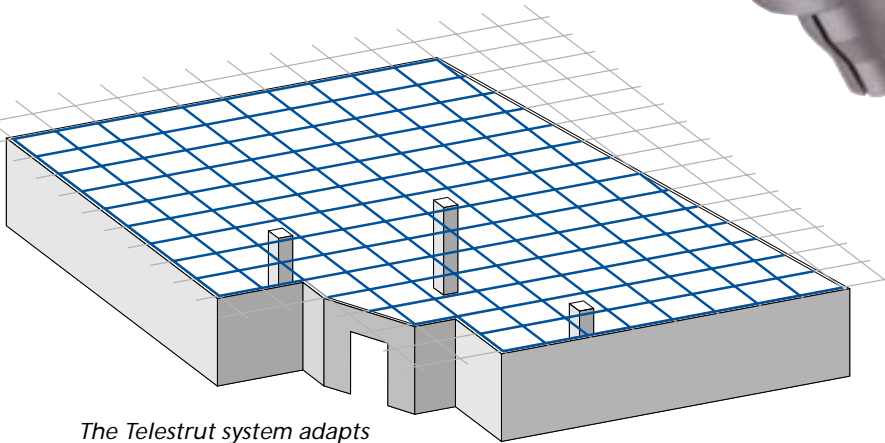
The Telestrut Telescoping Strut system builds optimum flexibility into your support grid. The $\frac{9}{16}$ " holes on $1\frac{7}{8}$ " centers are compatible with standard Unistrut metal framing fittings. By combining channel and prepunched tubing into a single system, Telestrut Telescoping Strut helps you design, build and change support grids faster and easier than you ever thought possible.

- A** **FAST INFINITE ADJUSTMENT** – P1000 series channel into P9200 tubing
Simply loosen connection, push bolt down, slide channel to new position and retighten.
- B** **ACCURATE INCREMENTAL ADJUSTMENT** – P9000 tubing into P9200 tubing
Just remove nut and bolt, realign holes to new position and reconnect.
- C** **COMBINED INCREMENTAL AND INFINITE ADJUSTMENT** – P1000H3 channel into P9200 tubing
Using channel with holes as the telescoping member, both incremental and infinite adjustments can be achieved with the same assembly.

...Channel Plus Tubing Means Maximum Flexibility with Minimum Work

WANT FASTER THAN BOLT-TOGETHER? TRY BOLTLESS

Once grid adjustments are set, the unique multi-grip rivet allows components to be connected with a quick hammer blow, which spreads the rivet shaft to create a strong friction grip. This unique "boltless" connection method can cut assembly time by 50% or more!



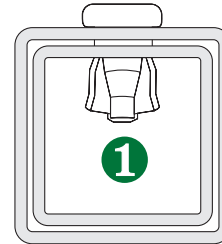
The Telestrut system adapts quickly and easily to irregular ceiling perimeters, thanks to the infinite adjustability of its telescoping sections.

EASILY ADJUSTS TO IRREGULAR CEILING PERIMETERS

Telestrut channel and tubing sections telescope together, allowing connectivity and adjustability not possible with other systems... so irregular dimensions present no special problems. After installation of a grid's basic framework, perimeter sections can be telescope-adjusted to fit, with no special field cutting required.

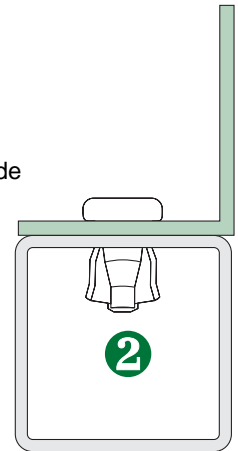
BOLTLESS CONNECTION

The exclusive tapered design of the multi-grip rivet meets all three system fastening needs.



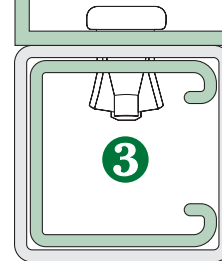
1

P9000 Tube Section Inside P9200 Tube Section



2

Fitting Attached to Tube Section or Channel



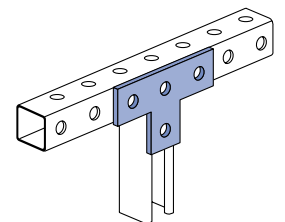
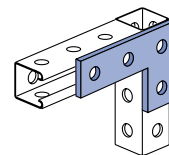
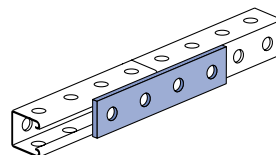
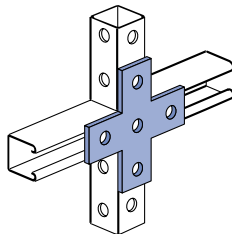
3

Fitting Attached to Tube Section with Tube Section or Channel Inside

TWO TELESTRUT® CONNECTION OPTIONS

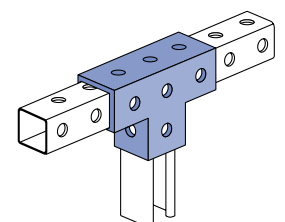
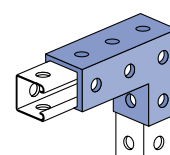
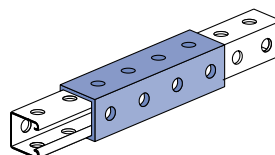
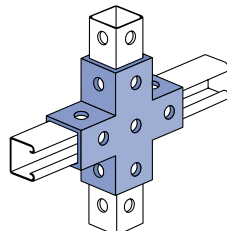
FLAT-PLATE FITTINGS –

Cross, L, T, Splice and many more



SOCKET FITTINGS (1 7/8") –

Strong, fast and easy (Available on special order only)



Unistrut Service Centers provide design support, installation assistance, local supply... and more.

Your Unistrut Service Center is a valuable resource for accomplishing your support grid project ... providing design, fabrication, and installation support, extensive product inventories, and professional project administration.

From your Unistrut sales representative to our technical service people, fabrication experts, installation crews and operations personnel, the Unistrut staff is dedicated to providing you with exactly the right support grid for your needs in the fastest, most cost-effective manner possible.

Build with the leader.
Call your Unistrut representative today.

UNISTRUT

1140 West Thorndale Ave.
Itasca, IL 60143
(800) 468-9510
Fax (630) 773-4214

ALABAMA
Unistrut Alabama
2120 N. Park Circle
Birmingham, AL 35207
205-328-1108 phone
205-328-9860 fax

ALASKA
Unistrut Alaska
6116 Nielson Way
Anchorage, AK 99518
907-562-9900 phone
907-562-5059 fax

ARIZONA
Unistrut Arizona
77 North 45th Ave., Ste. 1
Phoenix, AZ 85043-3931
602-272-6093 phone
602-272-7207 fax

ARKANSAS
Unistrut Arkansas
4700 Westwood Avenue
Little Rock, AR 72204-8295
501-562-8933 phone
501-565-4166 fax

CALIFORNIA
Unistrut Los Angeles
14600 S. Marquardt Ave.
Santa Fe Springs, CA 90670
562-921-9861 phone
562-921-6131 fax

Western Area Customer Service
13440 E. Imperial Hwy
Santa Fe Springs, CA 90670
800-728-6829 toll-free
562-921-6131 fax

Unistrut Northern California
2816 W. Winton Ave.
Hayward, CA 94545
510-265-8400 phone
800-351-8623 toll-free
510-265-7849 fax

COLORADO
Unistrut Western
601 S. Jason Street
Denver, CO 80223-2336
303-733-5537 phone
303-722-7849 fax

CONNECTICUT
See Massachusetts

DELAWARE
See Pennsylvania

FLORIDA
Unistrut Florida
6750 142nd Avenue
North Largo, FL 34641-4721
813-531-0468 phone
813-539-0487 fax

GEORGIA
Unistrut Georgia
7055-C Amwiler Industrial Dr.
Atlanta, GA 30360
770-455-1256 phone
770-242-5860 fax

HAWAII
Sun Industries
660 Mapunapuna Street
Honolulu, HI 96819-2084
808-833-2502 phone
808-834-5630 fax

IDAHO
See Utah

ILLINOIS
Unistrut Illinois
1140 West Thorndale Ave.
Itasca, IL 60143
630-773-3460 phone
630-773-4214 fax

INDIANA
Unistrut Indianapolis
3250 N. Post Rd, Ste #295
Indianapolis, IN 46226-6541
317-897-3441 phone
317-899-4110 fax

IOWA
Republic Companies
737 Charlotte Avenue
Davenport, IA 52803-5798
319-322-6204 phone
319-322-6194 fax

KANSAS
See Missouri

KENTUCKY
See Indiana

LOUISIANA
See Texas

MAINE
See Massachusetts

MARYLAND
Unistrut Chesapeake
9070 Maier Industrial Park
Laurel, MD 20707-1368
301-953-3620 phone
301-725-0001 fax

MASSACHUSETTS
Unistrut Northeast
30 Sonar Drive
Woburn, MA 01801
617-938-6993 phone
800-339-6411 toll-free
617-932-4157 fax

MICHIGAN
Unistrut Detroit Service Company
4045 Second Street
Wayne, MI 48184-1714
734-722-1400 phone
734-722-6843 fax

Unistrut Detroit Service Company
4636 44th Street SE
Grand Rapids, MI 49512
616-957-4647 phone
616-957-2373 fax

Unistrut Teal Service Co.
1200 Naughton Avenue
Troy, MI 48099-1189
248-689-3000 phone
248-689-3009 fax

MINNESOTA
Unistrut Northern
2715 Patton Road
Roseville, MN 55113
651-781-9811 phone
651-628-0380 fax

MISSISSIPPI
See Texas

MISSOURI
Unistrut Midwest
1545 Atlantic Street N.
Kansas City, MO 64116-3988
816-842-5568 phone
800-253-7796 toll-free
816-471-4355 fax

Unistrut Service Company of St. Louis
11680 Lackland
St. Louis, MO 63146
(314) 994-0034 phone
(314) 994-1373 fax

MONTANA
Unistrut Montana
Div. of Safway Supply, Inc.
120 Moore Lane
Billings, MT 59101-3496
406-248-7196 phone
406-248-7269 fax

NEBRASKA
Porter-Trustin-Carlson Co.
2501 Taylor Street
Omaha, NE 68111-2496
402-453-2000 phone
402-453-2082 fax

NEVADA
See California and Utah

NEW HAMPSHIRE
See Massachusetts

NEW JERSEY
Unistrut Eastern
600 Swenson Drive
Kenilworth, NJ 07033
908-245-5444 phone
800-223-6840 toll-free
908-245-3180 fax

NEW MEXICO
Unistrut New Mexico
6203-B Pan Am Freeway NE
Albuquerque, NM 87109
505-341-0216 phone
800-223-6840 toll-free
505-341-0252 fax

NEW YORK
Unistrut Buffalo
Div. of Eberl Iron Works, Inc.
128 Sycamore Street
Buffalo, NY 14204-1492
716-854-7633 phone
716-854-1184 fax

NORTH CAROLINA
Unistrut Carolinas
851 Blairhill Road
Charlotte, NC 28217-1516
704-522-0369 phone
704-522-0474 fax

NORTH DAKOTA
Adams, Inc.
4338 15th Avenue NW
Fargo, ND 58102
701-277-9422 phone
701-277-9411 fax

OHIO
Unistrut Cincinnati
3799 Madison Road
Cincinnati, OH 45209-1123
513-321-2502 phone
513-321-9943 fax

Unistrut Columbus
Div. of Loeb Electric Co.
915 Williams Avenue
Columbus, OH 43212-3866
614-294-6351 phone
614-294-8142 fax

Unistrut Dayton
1865 Radio Road
Dayton, OH 45431
937-254-1768 phone
513-321-9943 fax

Unistrut Service Company of Ohio
15752 Industrial Parkway
Cleveland, OH 44135-3389
216-433-4350 phone
216-433-0110 fax

Unistrut Toledo, Inc.
Division of Gil-Ross, Inc.
63 Dixie Highway
Rossford, OH 43460
419-666-4430 phone
419-666-8302 fax

OKLAHOMA
Unistrut Oklahoma
1131 Enterprise Ave., Bay 1
Oklahoma City, OK 73128-1409
405-942-1163 phone
405-943-7332 fax

OREGON
Unistrut Portland
9730 SW Hillman Ct., Ste. 600
Wilsonville, OR 97070-9241
503-682-2878 phone
503-682-2190 fax

PENNSYLVANIA
Unistrut Philadelphia
761 Fifth Avenue
King of Prussia, PA 19406
610-337-1282 phone
610-354-0379 fax

Unistrut Pittsburgh
1644 Old Butler Plank Road
Glenshaw, PA 15116
412-486-8488 phone
412-486-8945 fax

RHODE ISLAND
See Massachusetts

SOUTH CAROLINA
See North Carolina

SOUTH DAKOTA
See Colorado and North Dakota

TENNESSEE
Unistrut Memphis
4160 Ridgemoor Avenue
Memphis, TN 38118-6914
901-363-7334 phone
901-365-6665 fax

Unistrut Tennessee
566 Mainstream Drive
MetroCenter Suite #200
Nashville, TN 37228
(615) 254-0076 phone
(615) 254-0886 fax

TEXAS
Unistrut Gulf
4929 Blalock
Houston, TX 77041-7715
713-690-1652 phone
713-690-2335 fax

Unistrut Texas
825 Ave "H" East, Suite 115
Arlington, TX 76011
817-640-5077 phone
817-633-2629 fax

UTAH
Unistrut Intermountain
2380 West California Avenue
Salt Lake City, UT 84104
801-972-5715 phone
801-975-1218 fax

VERMONT
See Massachusetts

VIRGINIA
Unistrut Roanoke
dba Homestead Mat'l's
Handling
3218 Salem Turnpike NW
Roanoke, VA 24017
540-344-0911 phone
540-342-2403 fax
(See also North Carolina)

WASHINGTON
Unistrut Northwest
18401 Cascade Avenue South
Seattle, WA 98188-4791
425-251-5231 phone
425-251-5360 fax

Unistrut Spokane
Div. of Safway Supply, Inc.
1507 E. Sprague Avenue
Spokane, WA 99202-3179
509-535-9841 phone
509-534-3139 fax

WEST VIRGINIA
Unistrut Charleston
Jeffers Corporation
P.O. Box 757, U.S. Route #35
West St. Albans, WV 25177-0757
304-755-8111 phone
304-755-7544 fax

WISCONSIN
Unistrut Wisconsin
15350 National Ave
Suite #120
New Berlin, WI 53151
414-796-8707 phone
414-796-8712 fax

WYOMING
See Colorado, Utah and Washington

CANADIAN SERVICE CENTERS

ALBERTA
Unistrut Alberta
Calgary Tube Sales Ltd.
3616 Manchester Rd SE
Calgary AB T2C 3Z5
403-287-0808 phone
403-243-2882 fax

Unistrut Alberta Alberta Tubing & Metal Framing
4829 89th Street
Edmonton, AB T6E 5L3
403-465-9645 phone
403-465-0415 fax

BRITISH COLUMBIA
Unistrut Building Systems
Unit A-1300 Ketch Court
Coquitlam, BC V3K 6W1
604-540-4440 phone
604-540-4441 fax

MANITOBA
Unistrut Manitoba
328 Saulteaux Crescent
Winnipeg, MB R3J 3T2
204-897-3334 phone
204-895-3828 fax

NOVA SCOTIA
K & D Industries
617 Windmill Road
Dartmouth, NS B2Y 3Y3
902-468-1955 phone
902-468-6756 fax

ONTARIO
Unistrut Canada
585 Finley Avenue
Ajax, ON L1S 2E4
905-683-8131 phone
905-683-8987 fax

Unistrut Central Canada
895 Sandy Beach Rd
#12 & 13
Pickering, ON L1W 3N7
905-831-7724 phone
905-831-5872 fax

Unistrut Northstar Supply
111 Saunders Road
Units 7 & 8
Barrie, ON L4M 6E7
(705) 734-0711 phone
(705) 734-9826 fax

Unistrut Kitchener
100 Sheldon Drive, Unit 33
Cambridge, ON N1S 3C3
519-624-2502 phone
519-624-2503 fax

McKeough Sons Co., Ltd.
91 Enterprise Drive North
London, ON N6N 1A5
519-528-0025 phone
519-528-9921 fax

QUEBEC
Routleco, Inc.
877 Montée de Liesse
Montreal, QC H4T 1P5
514-341-3181 phone
514-341-3196 fax

SASKATCHEWAN
Unistrut Saskatchewan
c/o Alberta Tube
Edmonton, Alberta
(306) 975-0363 phone
(306) 975-7427 fax

The right choice for your ceiling grid!