



ROOFWALKS®

R O O F T O P W A L K W A Y S

D E S I G N
I N S T A L L A T I O N
G U I D E



ROOFWALKS®

Sure-Footed Walkways That Protect Personnel and Roofs!

Roof-top maintenance trips are a common occurrence. This is especially so for most business and industrial buildings equipped with fans, blowers and exhaust units mounted on their roofs.

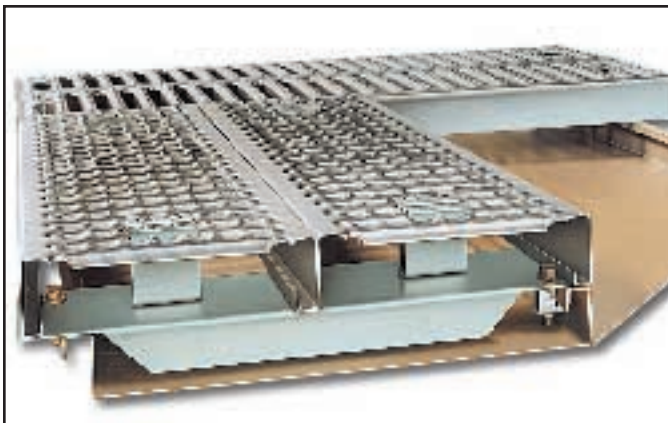
Periodic checks of these rooftop units provide the opportunity for accidental roof panel damage due to foot traffic. Standing-seam roofs, along with built-up roofs and single-ply membrane roofs, all present certain problem areas for roof leakage, damage and safety hazards for workers.

Potential problems can be avoided with the installation of a Unistrut ROOFWALKS® Rooftop walkway system. The unique support system allows convenient

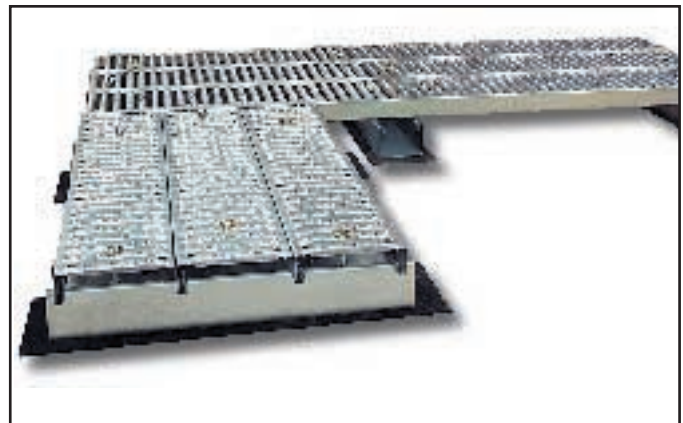
access to rooftop equipment and fixtures. ROOFWALKS distribute weight loads "evenly", and install without roof penetration. This permits workers to walk "safely" on an anti-skid surface with no seam distortion or excessive stress to the roof.

Installing a ROOFWALKS Rooftop Walkway system will help prevent an accident waiting to happen. They prevent roof leaks from occurring -PLUS- provide for worker's safety with a "visible sidewalk."

Field tested and proven for over a decade. ROOFWALKS rooftop-walkways are simply the best for product value and performance.



ROOFWALKS For Metal Standing-Seam Roofs



ROOFWALKS For Built-up, Membrane, Foam Or Coated Roofs

SERIES

CONTENTS

<u>PAGE</u>	
Introduction of ROOFWALKS	2
Roof Styles: Manufacturer Group Guide	3
Product Information	4-5
Generic Standing-Seam Roof Profiles & Descriptions	5
How To Plan a ROOFWALKS Walkway System	20
Example Installation Plan	21
Specifications: ROOFWALKS	21
Warranty Information	22
• STANDING-SEAM SECTION	
Group "A": Sales, Installation, Parts Guide	6-7
Group "B": Sales, Installation, Parts Guide	8-9
Group "C": Sales, Installation, Parts Guide	10-11
Group "D": Sales, Installation, Parts Guide	12-13
Group "E": Sales, Installation, Parts Guide	14-15
Group "F": Sales, Installation, Parts Guide	16-17
• MEMBRANE ROOFTOP SECTION	
Group "G": Sales, Installation, Parts Guide	18-19

QUICK REFERENCE GUIDE

Building Manufacturers Listed in Reference Groups for Installation Details

METAL STANDING SEAM ROOFS

All Unistrut ROOFWALKS® Rooftop Walkways are designed to be versatile and may be adapted to all types of metal standing-seam roof systems. Unique installation system has eliminated any need for roof penetration*.

- Group A**
- American Building
 - Atlantic Building
 - A.S.C. Pacific
 - Butler Building
 - Ceco Building
 - Carlisle
 - Gulf States
 - Mesco Building
 - Metal Sales Inc.
 - Morin Corporation
 - M.B.C.I.
 - Nucor Building
 - Star Building
 - U.S.A. Building
 - Varco Pruden
 - Wedgcore Inc. Building

- Group B**
- A&S Building System
 - Inland Building
 - Steelox Building
 - Summit Building

- Group C**
- Stran Buildings

- Group D**
- Pascoe Building
 - Steelite Building
 - Inland Building

- Group E**
- Chief Industries
 - Fabral Building

- Group F**
- (All)
 - Rib Roof Construction, 12-inch O.C.*

BUILT-UP AND PREFABRICATED MEMBRANE ROOFS (FLAT DESIGN)

- Group G**
- Built-up Roofs
 - Elastomeric Membrane Roofs
 - Modified Bitumen Membrane Roofs
 - Urethane Foam Roofs
 - Coated Roofing Systems

For special roof manufacturers not listed above please see page 5 of this guide.

* Roof penetration may be required on some rib-roof designs.

GENERAL INFORMATION

ROOFWALKS®
Systems
That Install
On Typical
Standing-Seam
Design Roofs.

PROTECTION FROM ROOFTOP TRAFFIC! Over time, pedestrian foot traffic on standing seam metal roofs can compromise roof integrity. Recognizing this problem, many designers avoid specifying rooftop replacement of HVAC and other equipment to reduce the need for rooftop access. Eventually someone will be climbing out on to those roofs to get to something. This can increase the possibilities for damage and accidents. Dishing and punctures could cause leaks and lead to expensive repairs.

ROOFWALKS® Rooftop Walkways. . . The right solution to rooftop pedestrian foot traffic. Designers may now choose to locate fixtures, exhausts and other equipment on the roof for a wider range of aesthetic and functional building design.

ROOFWALKS are custom-designed for easy installation for more than 20 of the most popular metal standing-seam designs. These walkways permit rooftop workers to walk safely on an anti-skid surface without causing seam distortion or excessive stress to roof panels.

ROOFWALKS walkways can run perpendicular, parallel and even diagonally to the roof seams. There are three basic

elements to each system: (1) steel plank grating, (2) special hardware clips, and (3) support plates that bolt directly to the standing-seams. The unique design of the ROOFWALKS anchoring clips form a nearly perfect match with the standing-



seams of most roof manufacturers. For parallel applications, special hold down clips attach the plank grating to a series of support plates that span the standing-seams.

ANTI-SKID PROTECTION! Galvanized plank grating features a surface that provides 360° of slip resistance. The 18-gauge plank grating features an “open grid design” that helps prevent build-up of ice, snow, mud and other debris. These self-cleaning planks are available in working lengths of 20-ft. and 24-ft.

NO PENETRATION INSTALLATION! The unique design of the ROOFWALKS anchoring clip and support plates enables most applications of the rooftop walkway system to be installed without roof penetration. This eliminates future problem areas associated with other types of roof access systems.



COST EFFECTIVE INSTALLATION and SERVICE LIFE!
ROOFWALKS®. . .

The low-cost solution to damaged ribs and panel seam separations and other costly damage caused by rooftop traffic. The low-cost of installation, virtually no-maintenance cost and long service life, makes ROOFWALKS rooftop walkways the most cost-effective system available today for roof and service personnel protection. Rooftop projects could have labor time costs reduced with ease of workers ability and confidence to travel across roof.

EASY SET-UP INSTALLATION! United Interlock® steel planks are strong yet lightweight, making installation quick and easy. Installation of a ROOFWALKS system requires only one or two workers. No need for special tools, hoists, cranes or other large equipment. One man can carry a 24-ft plank, typically the largest single component of the ROOFWALKS installation. ROOFWALKS. . .quick, easy and field proven to perform, all this and economical.

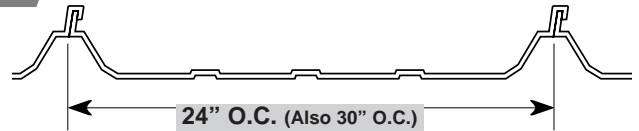


.. .CHOOSE ROOFWALKS —
.. .SPEC ROOFWALKS!

ROOF PROFILES

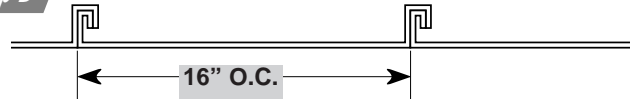
Pictured here are roof profile examples of the six group types of metal standing-seam roof panels. Unistrut ROOFWALKS® systems are custom designed to fit virtually every type of industrial rooftop.

Group A



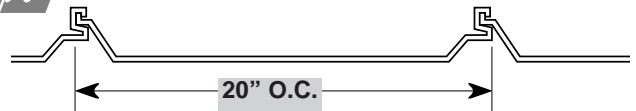
This panel style features a unique "wrap-around" sealed seam. Commonly these standing-seams are located 24" O.C.*

Group B



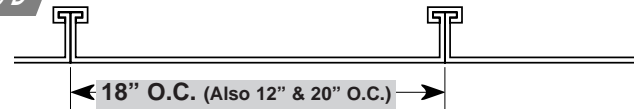
Look for distinctive inverted "L-shaped" interlocking standing-seams, 16" O.C. Additional vertical return leg adds panel strength.

Group C



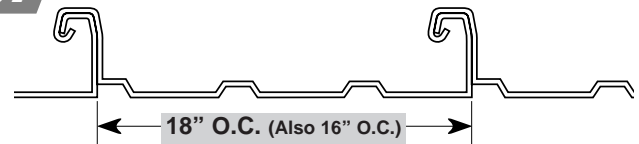
"Underwrap" designed standing-seams add to the strength and integrity of Group C roof panel style. 20" O.C.

Group D



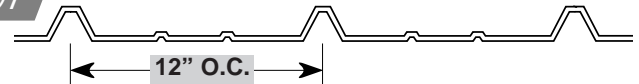
Group D roof panel styles features rugged looking "T-shaped" standing-seams, commonly placed at 18" O.C.

Group E



Interlocking design, inverted "L-shaped" standing-seams, feature a gentle roll-over wrap. Additional, low-profile, roll-formed vertical ribs are common. Both 16" O.C. and 18" O.C. may be found.

Group F



The "R" panel roof profile with sturdy 12" O.C. high rib design is the only panel roof that may need penetration when installing a walkway.

*CECO-LOC standing-seams located 30" O.C.

NOTE: Each group profile has a common "On-Center" distance unique to that specific group. If it is determined that a roof is of a size other than shown or is from a manufacturer not listed, please contact the ROOFWALKS HELPMAN!

ROOFWALKS®
Systems For Typical
Design Metal
Standing-Seam
Rooftops

Unistrut® ROOFWALKS® are available for all Group A metal “standing-seam” roofs. All ROOFWALKS walkway systems include the necessary hardware to allow proper installation to the type of roof as listed in Group A. Systems may be ordered to run perpendicular, diagonally or parallel to standing-seams.

Interlock® Grating with anti-skid walk surface. For perpendicular and diagonal applications, the walkway grating is attached directly to the standing-seams by means of special ROOFWALKS rib-clip bolt assemblies designed for each “seam configuration”.

Unistrut ROOFWALKS systems for “standing-seam” roofs features a walkway of United

ROOFWALKS® ANTI-SKID GRATING

DESCRIPTION	GAUGE	PART NO.
2-1/2 x 9 MF	18 ga.	G92282 PG
2-1/2 x 9 MM	18 ga.	G91282 PG
2-1/2 x 6 MF	18 ga.	G62282 PG
2-1/2 x 12 MF	18 ga.	G12282 PG
2-1/2 x 12 MM	18 ga.	G11282 PG

PARTS ASSEMBLY GUIDE NUMBER

BUILDING MANUFACTURER	STANDING-SEAM PANEL DESIGNATION	
American Building	Stand Seam II	G101
Atlantic Building	N/A	G101
A.S.C. Pacific	Weather Seam 24	G101
Butler Building	M.R.-24	G101
Ceco Building	Ceco-Loc	G105
Carlisle	Versa Lok S.S.P.	G101
Gulf States	N/A	G101
Mesco Building	Multi-Rib	G101
Metal Sales Inc.	-----	G101
Morin Corporation	Mss-24 or S.S.-12	G101
M.B.C.I.	Ultra Deck 124	G101
Nucor Building	S.S.R.	G101
Star Building	Starshield	G101
U.S.A. Building	N/A	G101
Varco-Pruden	S.S.R.	G101
Wedgco Inc.	----	G101

PARTS LIST AND BASIC DIMENSIONS

GROUP A COMPONENT LISTINGS

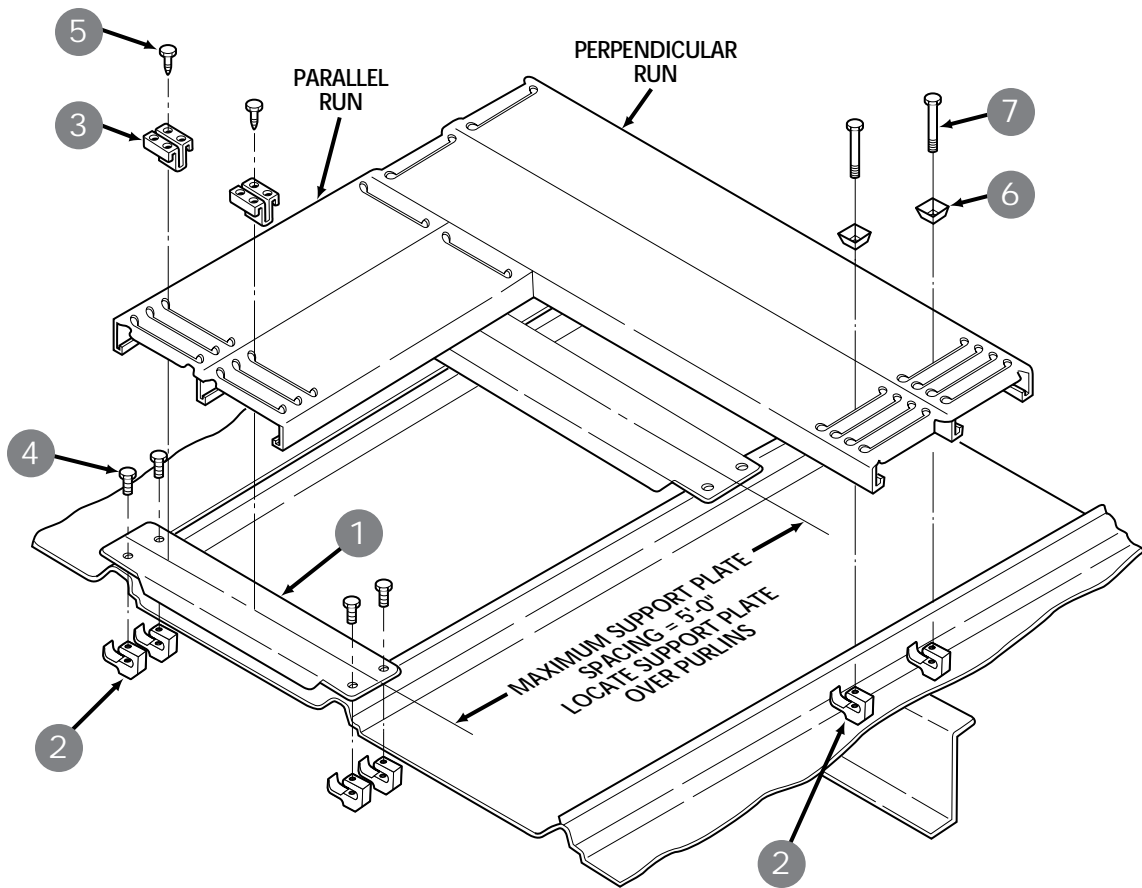
PARALLEL APPLICATIONS

WIDTH	DESCRIPTION	QTY	PART NO:	PART NO:
ASSEMBLY NO:			G101-18-SA	G105-18-SA
18 Inch	① Support Plate	1	G827B-PG	G837-PG
	② Rib Clip	4	G811-AL	G811-AL
	③ Hold Down Clips	2	G607-PG	G607-PG
	④ Bolts: 5/16" x 3/4 "	4	GHCSO31075-EG	GHCSO31075-EG
	⑤ SD/ST Screws	2	GHTSO12075-EG	GHTSO12075-EG
ASSEMBLY NO:			G101-24-SA	G105-24-SA
24 Inch	① Support Plate	1	G827B-PG	G837-PG
	② Rib Clips	4	G811-AL	G811-AL
	③ Hold Down Clips	2	G607-PG	G607-PG
	④ Bolts: 5/16" x 3/4"	4	GHCSO31075-EG	GHCSO31075-EG
	⑤ SD/ST Screws	2	GHTSO12075-EG	GHTSO12075-EG
ASSEMBLY NO:			G101-27-SA	G105-27-SA
27 Inch	① Support Plate	1	G848B-PG	G837-PG
	② Rib Clips	4	G811-AL	G811-AL
	③ Hold Down Clips	3	G607-PG	G607-PG
	④ Bolts: 5/16" x 3/4"	4	GHCSO31075-EG	GHCSO31075-EG
	⑤ SD/ST Screws	3	GHTSO12075-EG	GHTSO12075-EG
ASSEMBLY NO:			G101-36-SA	G105-36-SA
36 Inch	① Support Plate	1	G848B-PG	G860-PG
	② Rib Clips	4	G811-AL	G811-AL
	③ Hold Down Clips	4	G607-PG	G607-PG
	④ Bolts: 5/16" x 3/4"	4	GHCSO31075-EG	GHCSO31075-EG
	⑤ SD/ST Screws	4	GHTSO12075-EG	GHCSO31075-EG
ASSEMBLY NO:			G101-48-SA	G105-48-SA
48 Inch	① Support Plate	1	G848B-PG	G860-PG
	② Rib Clips	4	G811-AL	G811-AL
	③ Hold Down Clips	6	G607-PG	G607-PG
	④ Bolts: 5/16" x 3/4"	4	GHCSO31075-EG	GHCSO31075-EG
	⑤ SD/ST Screws	6	GHTSO12075-EG	GHTSO12075-EG

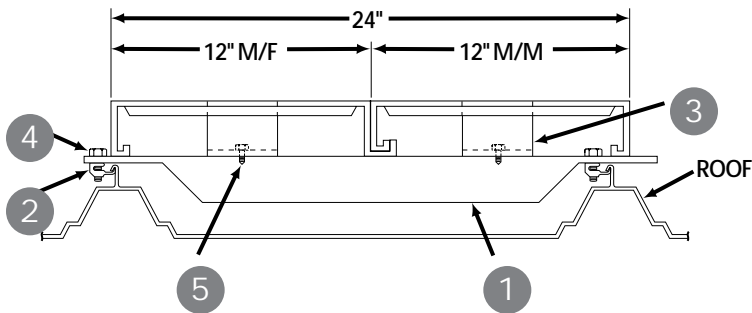
PERPENDICULAR APPLICATIONS

DESCRIPTION	QTY	PART NO:
ASSEMBLY NO:		G101-BA
② Rib Clip	1	G811-AL
⑥ Recess Washer	1	G714-EG
⑦ Bolt: 5/16" x 3-1/4"	1	GHCSO31325-EG

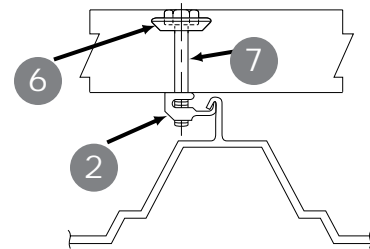
*Quantity of Hold Down Clips and SDST Screws Vary Depending on Walkway Widths.



PARALLEL SUPPORT PLATE ASSEMBLY



PERPENDICULAR BOLT ASSEMBLY



	DESCRIPTION	PART NUMBERS
	Support Plate	G827B-PG G837-PG G848B-PG G860-PG
	Rib Clip	G811-AL
	Hold Down Clip	G607-PG

	DESCRIPTION	PART NUMBERS
	5/16" x 3/4" Hex Head Cap Bolt	GHCSO31075-EG
	#12 - 3/4" Self-Drilling/Self-Tapping Screw	GHTSO12075-EG
	Recessed Washer	G714-EG
	5/16" x 3-1/4" Hex Head Cap Bolt	GHCSO31325-EG

Custom Designed
For Easy
Installation on
Standing-Seam
Rooftops.

Group B roof manufacturers each have the need for special installation assembly packages. Unistrut® has developed an anchoring system that's unique to each manufacturer. It is these anchoring clips and support plates of the ROOFWALKS® system that allow workers to safely access rooftop maintenance projects. A ROOFWALKS rooftop-walkway system provides a "visible sidewalk" for workers. Confidence enables

workers to finish projects faster and safer. All this leads to greater economical control of the ever shrinking corporate dollar.

ROOFWALKS. . . Standing on our reputation!

PARTS LIST AND BASIC DIMENSIONS

GROUP B COMPONENT LISTINGS

PARALLEL APPLICATIONS					
WIDTH	DESCRIPTION	QTY	PART NO:	PART NO:	PART NO:
ASSEMBLY NO:			G104-18-SA	G108-18-SA	G113-18-SA
18 Inch	<ol style="list-style-type: none"> ① Support Plate ② Rib Clips ③ Hold Down Clips ④ Bolts: 5/16"x1-1/2" ⑤ SD/ST Screws 	1 2 2 2 2	G718B G710-EG G607-PG GHCSO31150-EG GHTSO12075-EG	G720-PG G710-EG G607-PG GHCSO31150-EG GHTSO12075-EG	G726-PG G710-EG G607-PG GHCSO31150-EG GHTSO12075-EG
ASSEMBLY NO:			G104-24-SA	G108-24-SA	G113-24-SA
24 Inch	<ol style="list-style-type: none"> ① Support Plate ② Rib Clips ③ Hold Down Clips ④ Bolts: 5/16"x1-1/2" ⑤ SD/ST Screws 	1 4 3 4 3	G736B-PG G710-EG G607-PG GHCSO31150-EG GHTSO12075-EG	G730-PG G710-EG G607-PG GHCSO31150-EG GHTSO12075-EG	G726-PG G710-EG G607-PG GHCSO31150-EG GHTSO12075-EG
ASSEMBLY NO:			G104-27-SA	G108-27-SA	G113-27-SA
27 Inch	<ol style="list-style-type: none"> ① Support Plate ② Rib Clips ③ Hold Down Clips ④ Bolts: 5/16"x1-1/2" ⑤ SD/ST Screws 	1 4 3 4 3	G736B-PG G710-EG G607-PG GHCSO31150-EG GHTSO12075-EG	G730-PG G710-EG G607-PG GHCSO31150-EG GHTSO12075-EG	G726-PG G710-EG G607-PG GHCSO31150-EG GHTSO12075-EG
ASSEMBLY NO:			G104-36-SA	G108-36-SA	G113-36-SA
36 Inch	<ol style="list-style-type: none"> ① Support Plate ② Rib Clips ③ Hold Down Clips ④ Bolts: 5/16"x1-1/2" ⑤ SD/ST Screws 	1 4 4 4 4	G751-PG G710-EG G607-PG GHCSO31150-EG GHTSO12075-EG	G730-PG G710-EG G607-PG GHCSO31150-EG GHTSO12075-EG	G726-PG G710-EG G607-PG GHCSO31150-EG GHCSO31075-EG
ASSEMBLY NO:			G104-48-SA	G108-48-SA	G113-48-SA
48 Inch	<ol style="list-style-type: none"> ① Support Plate ② Rib Clips ③ Hold Down Clips ④ Bolts: 5/16"x1-1/2" ⑤ SD/ST Screws 	1 4 6 4 6	G751-PG G710-EG G607-PG GHCSO31150-EG GHTSO12075-EG	G740-PG G710-EG G607-PG GHCSO31150-EG GHTSO12075-EG	G727-PG G710-EG G607-PG GHCSO31150-EG GHTSO12075-EG
PERPENDICULAR APPLICATIONS					
	DESCRIPTION	QTY	PART NO:	PART NO:	PART NO:
ASSEMBLY NO:			G104-BA	G108-BA	G113-BA
	<ol style="list-style-type: none"> ② Rib Clip ⑥ Recess Washer ⑦ Bolt: 5/16"x4" 	1 1 1	G710-EG G714-EG GHCSO31400-EG	G710-EG G714-EG GHCSO31400-EG	G710-EG G714-EG GHCSO31400-EG

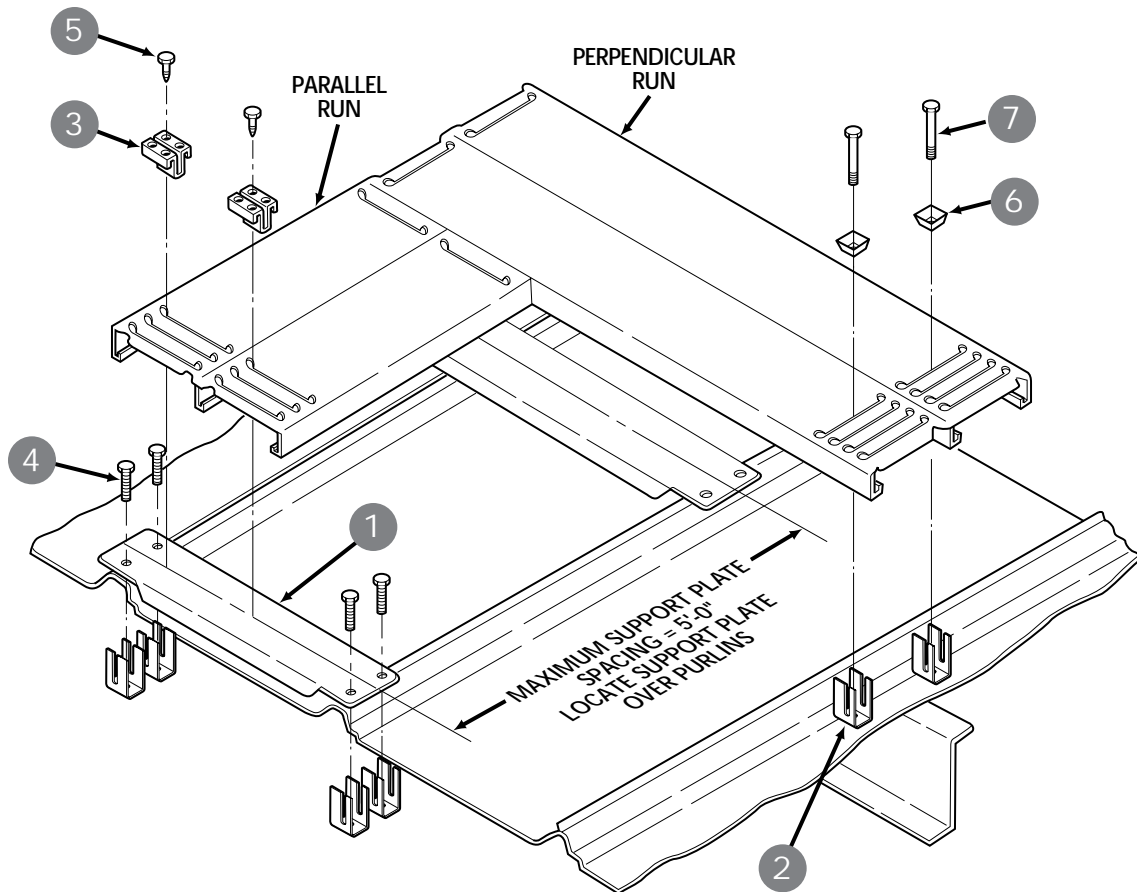
ROOFWALKS® ANTI-SKID GRATING

DESCRIPTION	GAUGE	PART NO.
2-1/2 x 9 MF	18 ga.	G92282 PG
2-1/2 x 9 MM	18 ga.	G91282 PG
2-1/2 x 6 MF	18 ga.	G62282 PG
2-1/2 x 12 MF	18 ga.	G12282 PG
2-1/2 x 12 MM	18 ga.	G11282 PG

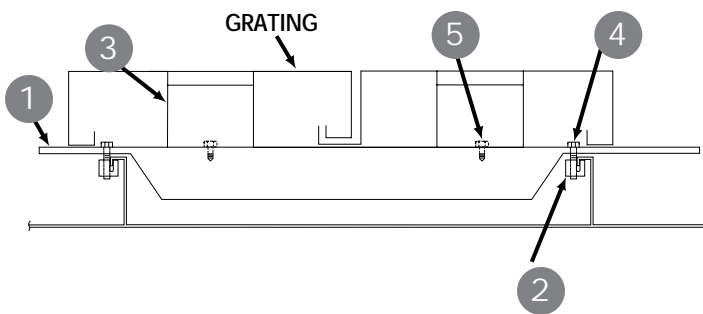
PARTS ASSEMBLY GUIDE NUMBER

BUILDING MANUFACTURER	STANDING-SEAM PANEL DESIGNATION	
A & S Building System	Vista Seal	G113
Inland Building	S.S.-18	G109
Steelex Building	Steelex	G104
Summit Building	N/A	G108

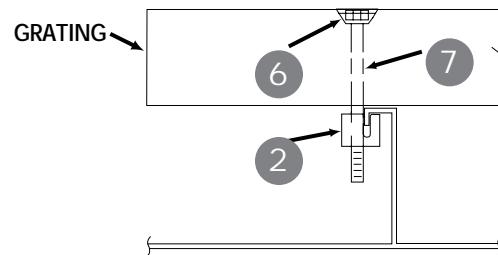
*Quantity of Hold Down Clips and SDST Screws Vary Depending on Walkway Widths.



PARALLEL SUPPORT PLATE ASSEMBLY



PERPENDICULAR BOLT ASSEMBLY



	DESCRIPTION	PART NUMBERS
	Support Plate	G718B, G747, G730-PG G720-PG, G736B-PG G726-PG, G740-PG G727-PG, G751-PG
	Rib Clip	G710-PG
	Hold Down Clip	G607-PG

	DESCRIPTION	PART NUMBERS
	5/16" X 1-1/2" Hex Head Cap Bolt	GHCSO31150-EG
	#12 - 3/4" Self-Drilling/Self- Tapping Screw	GHTSO12075-EG
	Recessed Washer	G714-EG
	5/16" x 4" Hex Head Cap Bolt	GHCSO31400-EG

Unique Design
of Anchoring
System Permits
Installation Without
Penetration.

Group C roof manufacturers have the need for a special ROOFWALKS® walkway system. For this group, Unistrut has designed system anchoring clips and clamps that work specifically with the unique contour of the standing-seams and profile of the metal panels. As with all ROOFWALKS walkways, systems for Group C roofs may run in any direction; parallel, perpendicular or diagonal to the standing-seams.



PARTS LIST AND BASIC DIMENSIONS

GROUP C COMPONENT LISTINGS

PARALLEL APPLICATIONS

WIDTH	DESCRIPTION	QTY	PART NO:
		ASSEMBLY NO: G110-18-SA	
18 Inch	① Support Plate	1	G738-PG
	② Rib Clips	2	G703-PG
	③ Hold Down Clips	2	G607-PG
	④ Bolts: 5/16" x 3/4"	4	GHCSO31075-EG
	⑤ SD/ST Screws	2	GHTSO12075-EG
	⑧ Hex Nuts: 5/16"	4	HHXN031-EG
		ASSEMBLY NO: G110-24-SA	
24 Inch	① Support Plate	1	G738-PG
	② Rib Clips	2	G703-PG
	③ Hold Down Clips	3	G607-PG
	④ Bolts: 5/16" x 3/4"	4	GHCSO31075-EG
	⑤ SD/ST Screws	3	GHTSO12075-EG
	⑧ Hex Nuts: 5/16"	4	HHXN031-EG
		ASSEMBLY NO: G110-27-SA	
27 Inch	① Support Plate	1	G738-PG
	② Rib Clips	2	G703-PG
	③ Hold Down Clips	3	G607-PG
	④ Bolts: 5/16" x 3/4"	4	GHCSO31075-EG
	⑤ SD/ST Screws	3	GHTSO12075-EG
	⑧ Hex Nuts: 5/16"	4	HHXN031-EG
		ASSEMBLY NO: G110-36-SA	
36 Inch	① Support Plate	1	G738-PG
	② Rib Clips	2	G703-PG
	③ Hold Down Clips	4	G607-PG
	④ Bolts: 5/16" x 3/4"	4	GHCSO31075-EG
	⑤ SD/ST Screws	4	GHTSO12075-EG
	⑧ Hex Nuts: 5/16"	4	HHXN031-EG
		ASSEMBLY NO: G110-48-SA	
48 Inch	① Support Plate	1	G739-PG
	② Rib Clips	2	G703-PG
	③ Hold Down Clips	6	G607-PG
	④ Bolts: 5/16" x 3/4"	4	GHCSO31075-EG
	⑤ SD/ST Screws	6	GHTSO12075-EG
	⑧ Hex Nuts: 5/16"	4	HHXN031-EG

PERPENDICULAR APPLICATIONS

DESCRIPTION	QTY	PART NO:
		ASSEMBLY NO: G110-BA
③ Hold Down Clip	1	G607-PG
④ Bolt: 5/16" x 3/4"	1	GHCSO31075-EG
⑤ S.D.S.T. Screw	1	GHTSO12075-EG
⑧ Hex Nut: 5/16"	1	HHXN031-EG
⑬ Rib Clip	1	G702-PG

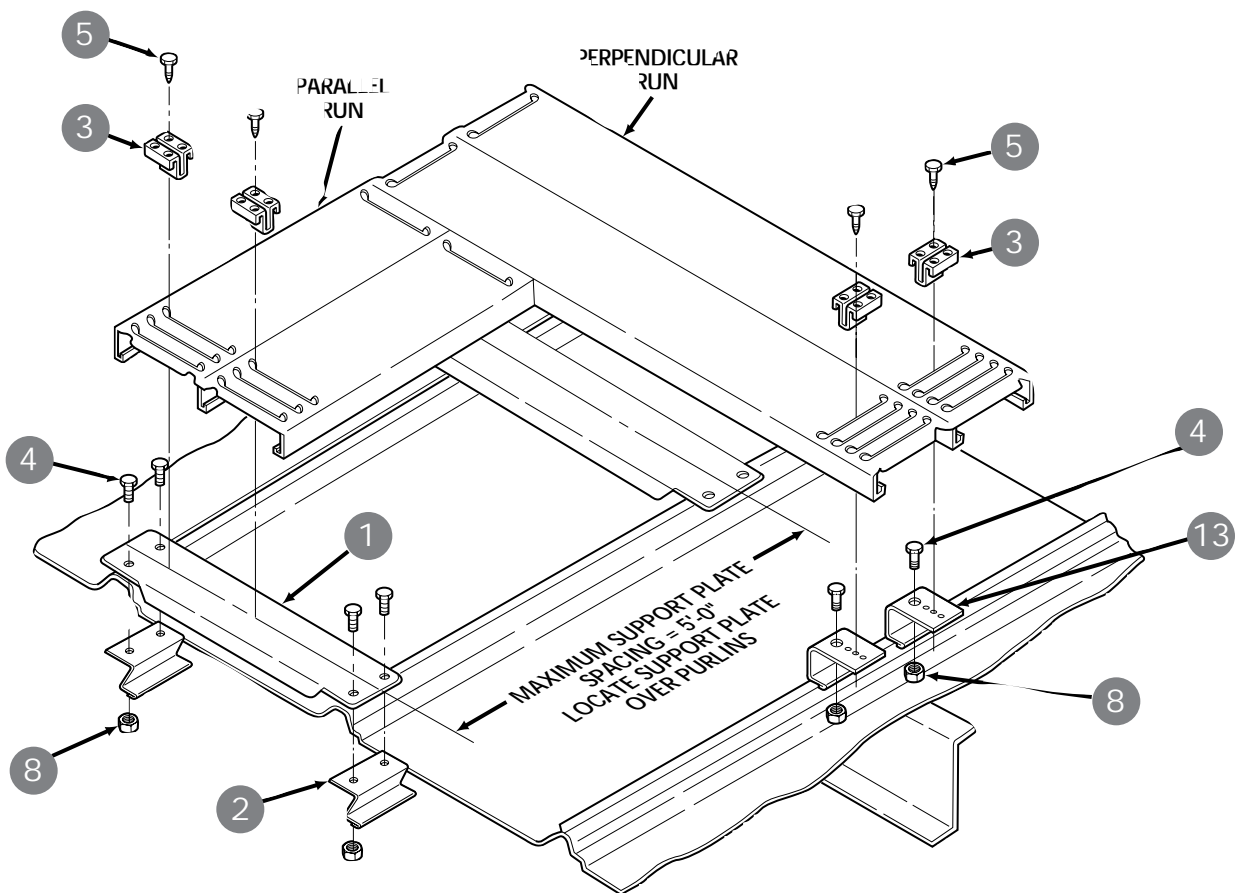
ROOFWALKS® ANTI-SKID GRATING

DESCRIPTION	GAUGE	PART NO.
2-1/2 x 9 MF	18 ga.	G92282 PG
2-1/2 x 9 MM	18 ga.	G91282 PG
2-1/2 x 6 MF	18 ga.	G62282 PG
2-1/2 x 12 MF	18 ga.	G12282 PG
2-1/2 x 12 MM	18 ga.	G11282 PG

PARTS ASSEMBLY GUIDE NUMBER

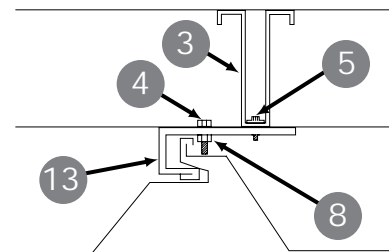
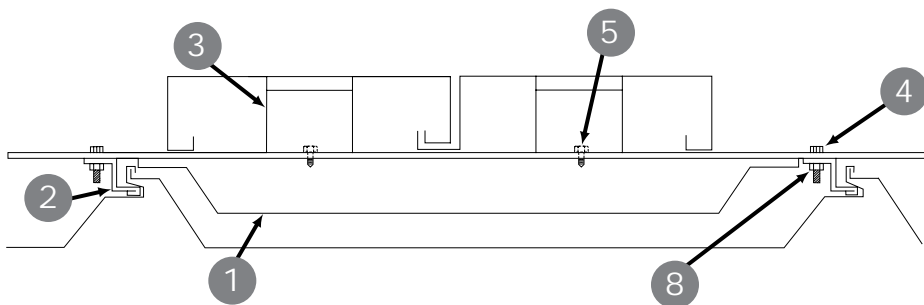
BUILDING MANUFACTURER	STANDING-SEAM PANEL DESIGNATION	
Stran Building	S.R.-100	G110

*Quantity of Hold Down Clips and SDST Screws Vary Depending on Walkway Widths.



PARALLEL SUPPORT PLATE ASSEMBLY

PERPENDICULAR BOLT ASSEMBLY



	DESCRIPTION	PART NUMBERS
	Support Plate	G738-PG G739-PG
	Rib Clip	G703-PG
	Hold Down Clip	G607-PG

	DESCRIPTION	PART NUMBERS
	5/16" x 3/4" Hex Head Cap Bolt	GHCSO31075-EG
	#12 - 3/4" Self-Drilling/Self-Tapping Screw	GHTSO12075-EG
	Hex Nut: 5/16"	HHXNO31-EG
	Rib Clip	G702-PG

Eliminate Roof
Damage Caused
By Dishing and Punc-
tures From
Foot Traffic.

Group D metal standing-seam roofs feature a unique profile.

Manufacturers of this type of roof have designed the standing-seams to form a "T" as the seams join together. Unistrut engineers have designed a special rib-clamp for this Group D systems. ROOFWALKS clamp

no. G809-PG works specifically with the unique standing "T" contour of the seams. ROOFWALK walkways for Group D roofs may run in any direction; parallel, perpendicular or diagonal to the standing-seams.

ROOFWALKS. . .Standing on our reputation!

PARTS LIST AND BASIC DIMENSIONS

GROUP D COMPONENT LISTINGS

PARALLEL APPLICATIONS			
WIDTH	DESCRIPTION	QTY	PART NO:
		ASSEMBLY NO: G109-18-SA	
18 Inch	① Support Plate	1	G747-PG
	③ Hold Down Clips	2	G607-PG
	④ Bolts: 5/16" x 3/4"	4	GHCSO31075-EG
	⑤ SD/ST Screws	2	GHTSO12075-EG
	⑧ Hex Nuts: 5/16"	4	HHXNO31-EG
	⑨ Rib Clamps	4	G808-PG
		ASSEMBLY NO: G109-24-SA	
24 Inch	① Support Plate	1	G747-PG
	③ Hold Down Clips	3	G607-PG
	④ Bolts: 5/16" x 3/4"	4	GHCSO31075-EG
	⑤ SD/ST Screws	3	GHTSO12075-EG
	⑧ Hex Nuts: 5/16"	4	HHXNO31-EG
	⑨ Rib Clamps	4	G808-PG
		ASSEMBLY NO: G109-27-SA	
27 Inch	① Support Plate	1	G747-PG
	③ Hold Down Clips	3	G607-PG
	④ Bolts: 5/16" x 3/4"	4	GHCSO31075-EG
	⑤ SD/ST Screws	3	GHTSO12075-EG
	⑧ Hex Nuts: 5/16"	4	HHXNO31-EG
	⑨ Rib Clamps	4	G808-PG
		ASSEMBLY NO: G109-36-SA	
36 Inch	① Support Plate	1	G747-PG
	③ Hold Down Clips	4	G607-PG
	④ Bolts: 5/16" x 3/4"	4	GHCSO31075-EG
	⑤ SD/ST Screws	4	GHTSO12075-EG
	⑧ Hex Nuts: 5/16"	4	HHXNO31-EG
	⑨ Rib Clamps	4	G808-PG
		ASSEMBLY NO: G109-48-SA	
48 Inch	① Support Plate	1	G748-PG
	③ Hold Down Clips	6	G607-PG
	④ Bolts: 5/16" x 3/4"	4	GHCSO31075-EG
	⑤ SD/ST Screws	6	GHTSO12075-EG
	⑧ Hex Nuts: 5/16"	4	HHXNO31-EG
	⑨ Rib Clamps	4	G808-PG
PERPENDICULAR APPLICATIONS			
	DESCRIPTION	QTY	PART NO:
		ASSEMBLY NO: G109-BA	
	② Rib Clip	1	G710-PG
	④ Bolt: 5/16" 3/4"	1	GHCSO31075-EG
	⑥ Recess Washer	1	G714-EG
	⑦ Bolt: 5/16" x 4"	1	GHCSO31400-EG
	⑧ Hex Nut: 5/16"	1	HHXNO31-EG
	⑨ Rib Clamp	1	G808-PG
	⑩ Rib Clip	1	G809-PG

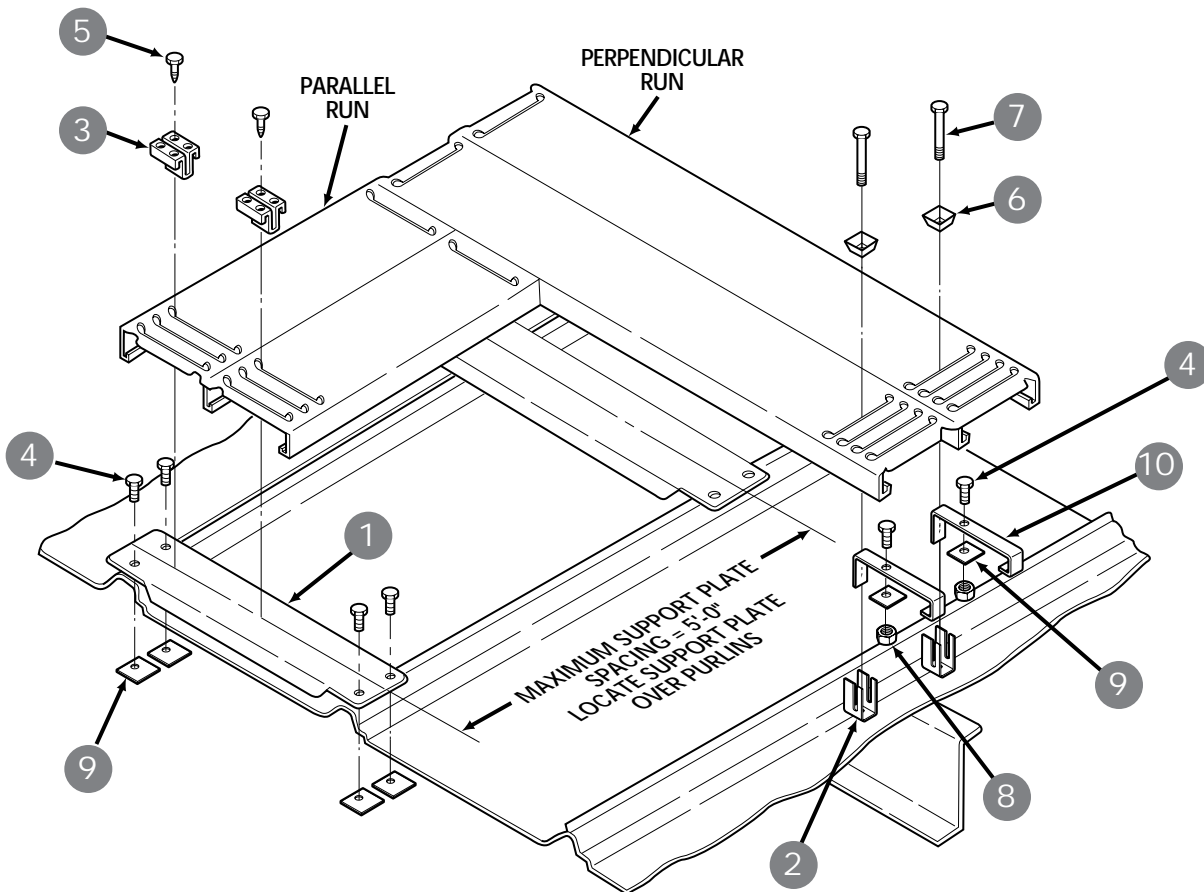
ROOFWALKS® ANTI-SKID GRATING

DESCRIPTION	GAUGE	PART NO.
2-1/2 x 9 MF	18 ga.	G92282 PG
2-1/2 x 9 MM	18 ga.	G91282 PG
2-1/2 x 6 MF	18 ga.	G62282 PG
2-1/2 x 12 MF	18 ga.	G12282 PG
2-1/2 x 12 MM	18 ga.	G11282 PG

PARTS ASSEMBLY GUIDE NUMBER

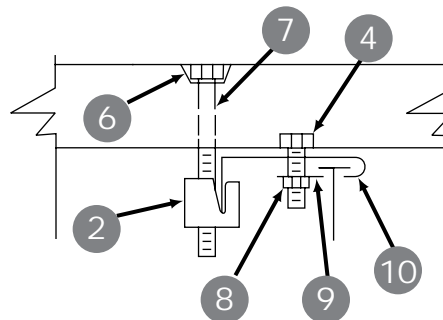
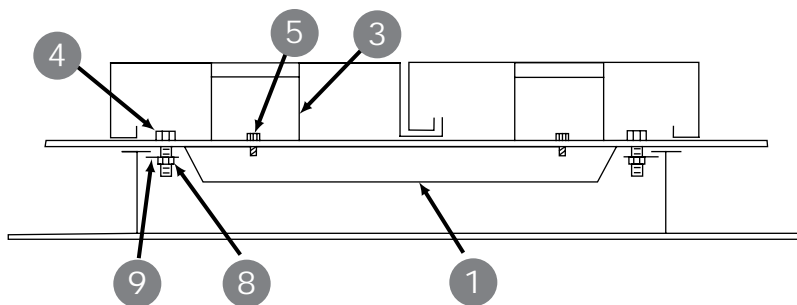
BUILDING MANUFACTURER	STANDING-SEAM PANEL DESIGNATION	
Pascoe Building	A.S.R.-IV	G109
Steelite Building	R.S.-18	G109

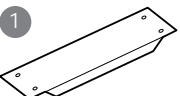

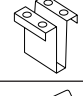
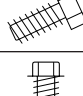

*Quantity of Hold Down Clips and SDST Screws Vary Depending on Walkway Widths.


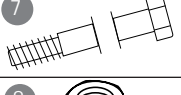

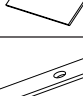



PARALLEL SUPPORT PLATE ASSEMBLY

PERPENDICULAR BOLT ASSEMBLY



	DESCRIPTION	PART NUMBERS
	Support Plate	G747-PG G748-PG
	Rib Clip	G710-PG
	Hold Down Clip	G607-PG
	5/16" x 3/4" Hex Head Cap Bolt	GHCSO31075-EG
	#12 - 3/4" Self-Drilling/Self-Tapping Screw	GHTSO12075-EG

	DESCRIPTION	PART NUMBERS
	Recessed Washer	G714-EG
	5/16" x 4" Hex Head Cap Bolt	GHCSO31400-EG
	Hex Nut	HHXNO31-EG
	Rib Clamp	G808-PG
	Rib Clip	G809-PG

Rooftop Workers
Walk Safely
On Anti-Skid
Grating Surface.

Group E roof manufacturers have incorporated a unique over/under snap-lock standing-seam design. This type of standing-seam roof requires ROOFWALKS® special rib clip no. G811-AL. This clip allows the new system to be anchored to the seams giving greater support to the walkway itself.

Group E ROOFWALKS rooftop walkways may run parallel, perpendicular or diagonal to the standing-seams, allowing greater

installation versatility and cost savings over other rooftop walk systems.

ROOFWALKS. . .Standing on our reputation!

PARTS LIST AND BASIC DIMENSIONS

GROUP E COMPONENT LISTINGS

PARALLEL APPLICATIONS

WIDTH	DESCRIPTION	QTY	PART NO:	PART NO:	
		ASSEMBLY NO:		G10718-SA*	G111-18-SA
18 Inch	① Support Plate	1	G722-PG	G732-PG	
	② Rib Clips	4	G811-AL	G811-AL	
	③ Hold Down Clips	2	G607-PG	G607-PG	
	④ Bolts: 5/16" x 3/4"	4	GHCOS31075-EG	GHCOS31075-EG	
	⑤ SD/ST Screws	2	GHTSO12075-EG	GHTSO12075-EG	
		ASSEMBLY NO:		G107-24-SA	G111-24-SA
24 Inch	① Support Plate	1	G722-PG	G732-PG	
	② Rib Clips	4	G811-AL	G811-AL	
	③ Hold Down Clips	3	G607-PG	G607-PG	
	④ Bolts: 5/16" x 3/4"	4	GHCOS31075-EG	GHCOS31075-EG	
	⑤ SD/ST Screws	3	GHTSO12075-EG	GHTSO12075-EG	
		ASSEMBLY NO:		G107-27-SA	G111-27-SA
27 Inch	① Support Plate	1	G722-PG	G732-PG	
	② Rib Clips	4	G811-AL	G811-AL	
	③ Hold Down Clips	3	G607-PG	G607-PG	
	④ Bolts: 5/16" x 3/4"	4	GHCOS31075-EG	GHCOS31075-EG	
	⑤ SD/ST Screws	3	GHTSO12075-EG	GHTSO12075-EG	
		ASSEMBLY NO:		G107-36-SA	G111-36-SA
36 Inch	① Support Plate	1	G722-PG	G732-PG	
	② Rib Clips	4	G811-AL	G811-AL	
	③ Hold Down Clips	4	G607-PG	G607-PG	
	④ Bolts: 5/16" x 3/4"	4	GHCOS31075-EG	GHCOS31075-EG	
	⑤ SD/ST Screws	4	GHTSO12075-EG	GHTSO12075-EG	
		ASSEMBLY NO:		G107-48-SA	G111-48-SA
48 Inch	① Support Plate	1	G723-PG	G733-PG	
	② Rib Clips	4	G811-AL	G811-AL	
	③ Hold Down Clips	6	G607-PG	G607-PG	
	④ Bolts: 5/16" x 3/4"	4	GHCOS31075-EG	GHCOS31075-EG	
	⑤ SD/ST Screws	6	GHTSO12075-EG	GHTSO12075-EG	
PERPENDICULAR APPLICATIONS					
	DESCRIPTION	QTY	PART NO:	PART NO:	
		ASSEMBLY NO:		G107-BA	G111-BA
	② Rib Clip	1	G811-AL	G811-AL	
	⑥ Recess Washer	1	G714-EG	G714-EG	
	⑦ Bolt: 5/16" x 3-1/4"	1	GHCOS31325-EG	*GHCOS31325-EG	

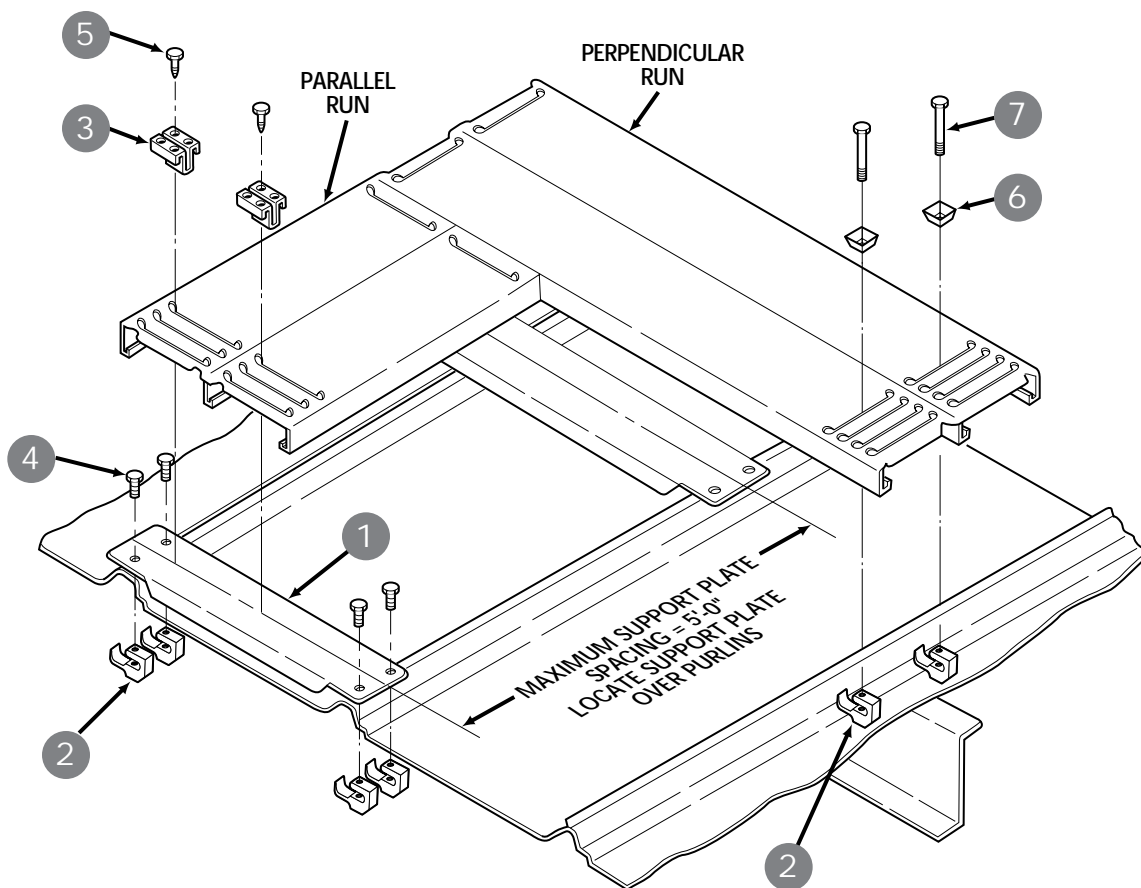
*Quantity of Hold Down Clips and SDST Screws Vary Depending on Walkway Widths.

ROOFWALKS® ANTI-SKID GRATING

DESCRIPTION	GAUGE	PART NO.
2-1/2 x 9 MF	18 ga.	G92282 PG
2-1/2 x 9 MM	18 ga.	G91282 PG
2-1/2 x 6 MF	18 ga.	G62282 PG
2-1/2 x 12 MF	18 ga.	G12282 PG
2-1/2 x 12 MM	18 ga.	G11282 PG

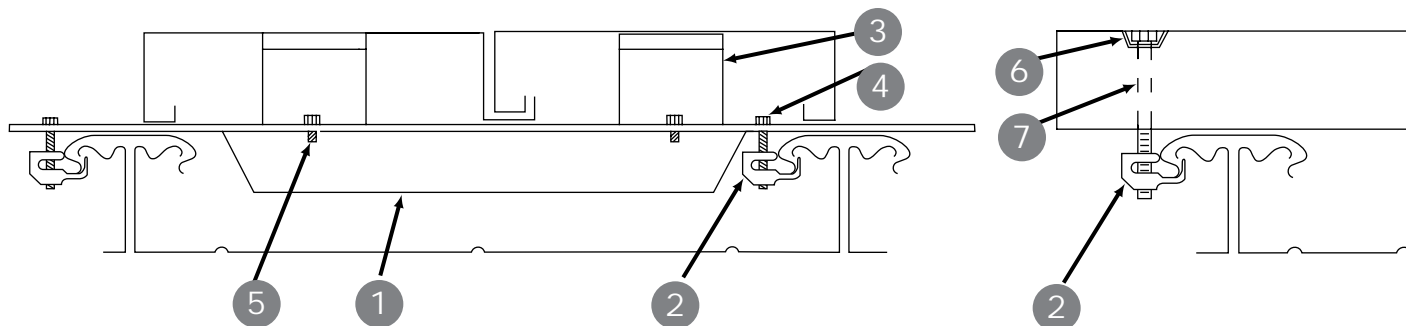
PARTS ASSEMBLY GUIDE NUMBER

BUILDING MANUFACTURER	STANDING-SEAM PANEL DESIGNATION	PART NO.
Chief Industries*	L.T.L. Roof	G107
Fabral Building	S.S.R.	G111



PARALLEL SUPPORT PLATE ASSEMBLY

PERPENDICULAR BOLT ASSEMBLY



	DESCRIPTION	PART NUMBERS
1	Support Plate	G722-PG } CHIEF G723-PG } G732-PG } FABRAL G733-PG }
2	Rib Clip	G811-AL
3	Hold Down Clip	G607-PG

	DESCRIPTION	PART NUMBERS
4	5/16" x 3/4" Hex Head Cap Bolt	GHCSO31075-EG
5	#12 - 3/4" Self-Drilling/Self-Tapping Screw	GHTSO12075-EG
6	Recessed Washer	G714-EG
7	5/16" x 3-1/4" Hex Head Cap Bolt	GHCSO31325-EG

ROOFWALKS®

Rooftop-Walkways

are the right

solution to

rooftop pedestrian

foot traffic.

Group F ROOFWALKS® rooftop-walkway system shares a similar design as to the metal standing-seam roof. This common roof panel is supplied by many different manufacturers, Varco-Pruden, CECO and American Building to name a few. The high standing-ribs of the metal panels are commonly found to be at 12-inches O.C. It is because of this design that Group F is the only ROOFWALKS system that requires roof-penetration to secure the walkway to the roof panels.**

Field tested and proven, ROOFWALKS rooftop-walkways are simply the best for product value and performance.

ROOFWALKS. . .Standing on our reputation!



PARTS LIST AND BASIC DIMENSIONS

GROUP F COMPONENT LISTINGS

ALL APPLICATIONS

WIDTH	DESCRIPTION	QTY	PART NO:
		ASSEMBLY NO:	G114-18-SA
18 Inch	<ul style="list-style-type: none"> ① Support Plate ③ Hold Down Clips ⑤ SD/ST Screws 	<p>1 2 14</p>	<p>G760-PG G607-PG GHTSO12075-EG</p>
		ASSEMBLY NO:	G114-24-SA
24 Inch	<ul style="list-style-type: none"> ① Support Plate ③ Hold Down Clips ⑤ SD/ST Screws 	<p>1 3 15</p>	<p>G760-PG G607-PG GHTSO12075-EG</p>
		ASSEMBLY NO:	G114-27-SA
27 Inch	<ul style="list-style-type: none"> ① Support Plate ③ Hold Down Clips ⑤ SD/ST Screws 	<p>1 3 15</p>	<p>G760-PG G607-PG GHTSO12075-EG</p>
		ASSEMBLY NO:	G114-36-SA
36 Inch	<ul style="list-style-type: none"> ① Support Plate ③ Hold Down Clips ⑤ SD/ST Screws 	<p>1 4 16</p>	<p>G760-PG G607-PG GHTSO12075-EG</p>

ROOFWALKS® ANTI-SKID GRATING

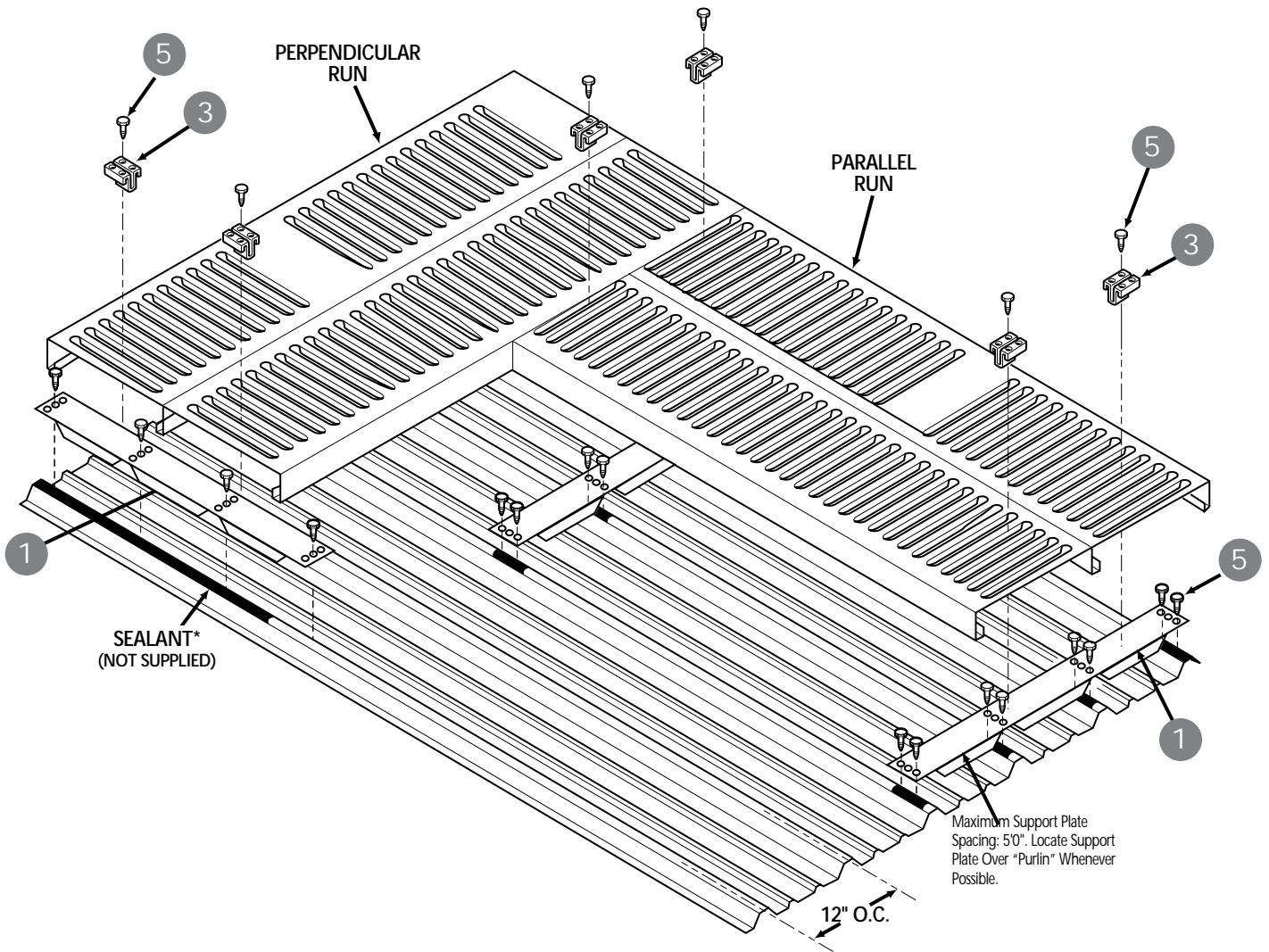
DESCRIPTION	GAUGE	PART NO.
2-1/2 x 9 MF	18 ga.	G92282 PG
2-1/2 x 9 MM	18 ga.	G91282 PG
2-1/2 x 6 MF	18 ga.	G62282 PG
2-1/2 x 12 MF	18 ga.	G12282 PG
2-1/2 x 12 MM	18 ga.	G11282 PG

PARTS ASSEMBLY GUIDE NUMBER

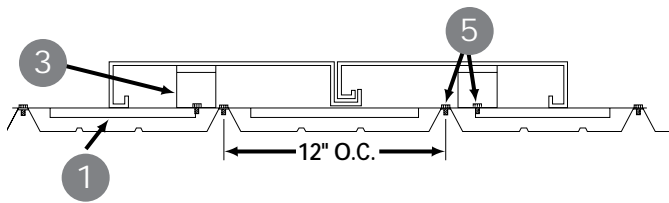
MOST BUILDING MANUFACTURERS	STANDING-SEAM PANEL DESIGNATION	
	All 12" O.C.	G114

*Quantity of Hold Down Clips and SDST Screws Vary Depending on Walkway Widths.

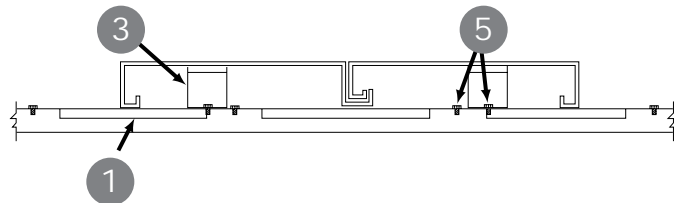
** Please see ROOFWALKS® warranty page for important liability information regarding Group F systems.



PARALLEL SUPPORT PLATE ASSEMBLY



PERPENDICULAR BOLT ASSEMBLY



	DESCRIPTION	PART NUMBERS
	Support Plate	G760-PG
	Hold Down Clip	G607-PG
	Self-Drilling/Self-Tapping Screw	GHTSO12075-EG

* Group F requires that a sealant (not supplied) be applied under each support plate.

IMPORTANT INSTALLATION NOTICE:

The penetration method shown here is the only method to be used when installing a Roofwalk System on a Panel Rib roof. This is due to the design of the "Panel Rib" roof not having a standing seam for the Roofwalk to be attached. BEFORE INSTALLATION BEGINS, please contact your representative for further information. Roof manufacturers warranty may be made void and Unistrut Corporation declines responsibility for any void in warranty!

ROOFWALKS®
Systems for Built-up
and Prefabricated
Membrane Roofs

Built-up, membrane, foam and coated roofs may appear intact. . .but, in fact may be leaking beneath the surface, destroying the structural integrity of the roof.

The cause could have been foot traffic on the roof for a variety of reasons. No matter how careful a worker tries to walk across a roof - unseen damage may occur due to the stress. This damage may lead to expensive roof and interior repairs.

ROOFWALKS® solves this problem. Special walkway stands and pads help provide a secure anchor for the ROOFWALKS system - WITHOUT ROOF PENETRATION.

Adding safety for workers and saving what could be thousands of dollars in roof damage repair.

ROOFWALKS. . .Solutions that work!

PARTS LIST AND BASIC DIMENSIONS

GROUP G COMPONENT LISTINGS

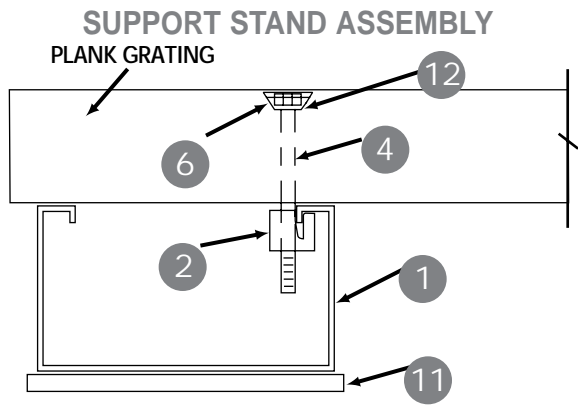
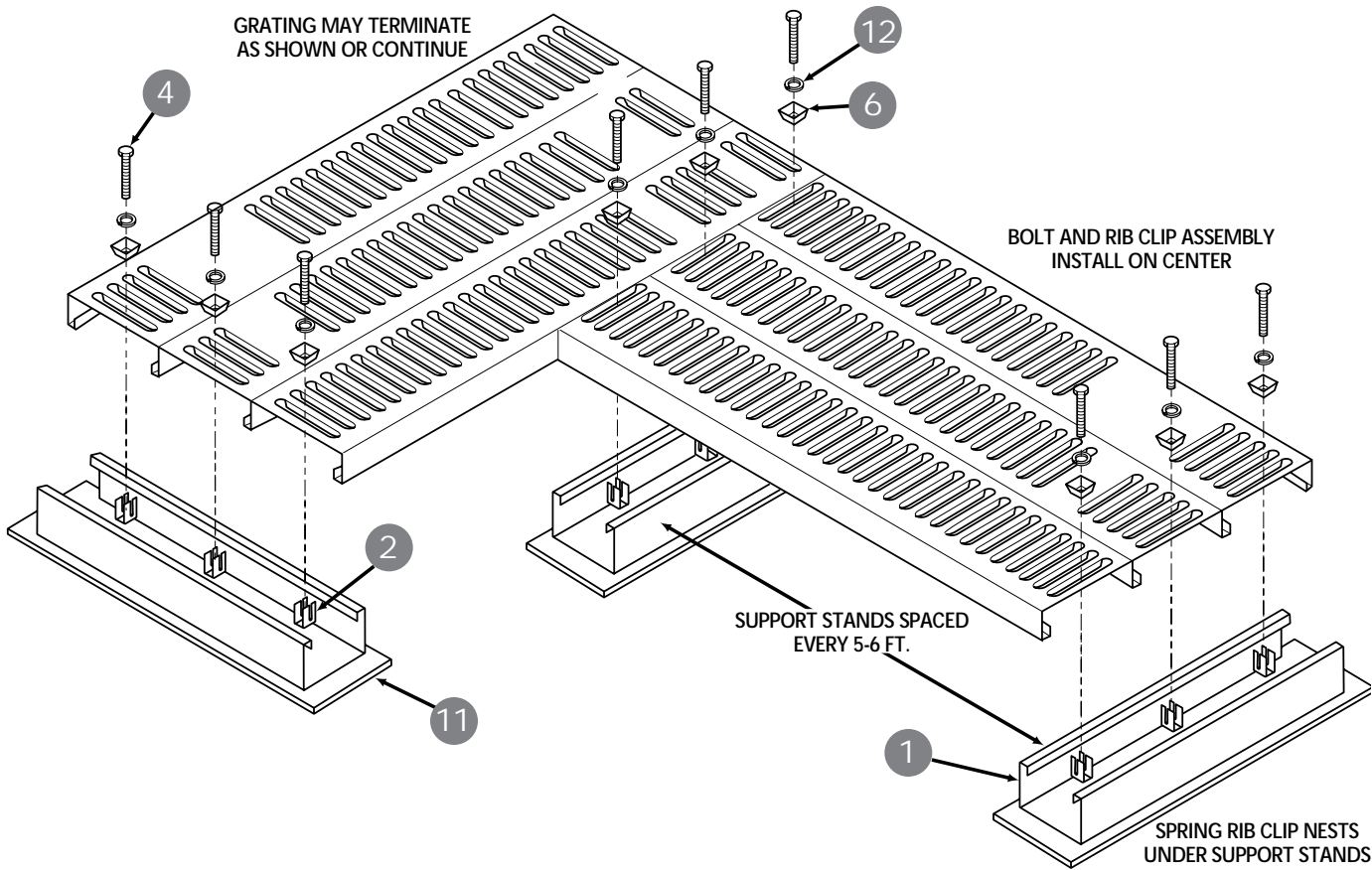
BUILT-UP, MEMBRANE, FOAM & COATED			
WIDTH	DESCRIPTION	QTY	PART NO:
18 Inch	① Support Stand	1	G61343-PG
	② Rib Clips	2	G710-EG
	④ Bolts:5/16" x 4-1/2"	2	GHCSO31450-EG
	⑥ Recessed Washer	2	G714-EG
	⑪ Rubber Pad	1	G501-28-PL
	⑫ Lock Washer	2	HLKWO31-EG
24 Inch	① Support Stand	1	G61343-PG
	② Rib Clips	2	G710-EG
	④ Bolts:5/16" x 4-1/2"	2	GHCSO31450-EG
	⑥ Recessed Washer	2	G714-EG
	⑪ Rubber Pad	1	G501-28-PL
	⑫ Lock Washer	2	HLKWO31-EG
27 Inch	① Support Stand	1	G61343-PG
	② Rib Clips	3	G710-EG
	④ Bolts:5/16" x 4-1/2"	3	GHCSO31450-EG
	⑥ Recessed Washer	3	G714-EG
	⑪ Rubber Pad	1	G501-31-PL
	⑫ Lock Washer	3	HLKWO31-EG
36 Inch	① Support Stand	1	G61343-PG
	② Rib Clips	3	G710-EG
	④ Bolts:5/16" x 4-1/2"	3	GHCSO31400-EG
	⑥ Recessed Washer	3	G714-EG
	⑪ Rubber Pad	1	G501-40-PL
	⑫ Lock Washer	3	HLKWO31-EG
48 Inch	① Support Stand	1	G61343-PG
	② Rib Clips	2	G710-EG
	④ Bolts:5/16" x 4-1/2"	4	GHCSO31400-EG
	⑥ Recessed Washer	4	G714-EG
	⑪ Rubber Pad	1	G501-52-PL
	⑫ Lock Washer	4	HLKWO31-EG

ROOFWALKS® ANTI-SKID GRATING

DESCRIPTION	GAUGE	PART NO.
2-1/2 x 9 MF	18 ga.	G92282 PG
2-1/2 x 9 MM	18 ga.	G91282 PG
2-1/2 x 6 MF	18 ga.	G62282 PG
2-1/2 x 12 MF	18 ga.	G12282 PG
2-1/2 x 12 MM	18 ga.	G11282 PG

*Quantity of Hold Down Clips and SDST Screws Vary Depending on Walkway Widths.

**Support Stands Provided in 20' and 24' Stock Lengths.



Rib Clip Bolt Assembly

	DESCRIPTION	PART NUMBERS
1	6" x 4" x 14 gauge Support Stand – 20' and 24' Stock Lengths	G61343-PG
2	Rib Clip	G710-EG
4	5/16" x 4-1/2" Hex Head Cap Full Thread Bolt	GHCSO31450-EG

	DESCRIPTION	PART NUMBERS
6	Recessed Washer	G714-EG
11	Rubber Pad	G501
12	Lock Washer	HLKW031-EG

✓ METAL STANDING-SEAM ROOF . . .

How To Plan The Right Walkway System

- ✓ Standing-Seam Roofs
- ✓ Membrane & Group G Roofs

P E R P E N D I C U L A R

For Walkways Running Perpendicular or Diagonal to the Standing-Seam: Steps 1, 2, 3, 4 and 6.

- ✓ v 1. **Measure each run.** Measure the distance between every pair of points to be linked by the new system.
- ✓ v 2. **Choose the width that fits your needs.** Planks are available in six (6) nine (9) and twelve (12) in. widths. Combinations of widths may be used with one another to produce various finished walkway widths in three (3) inch increments. A double-male (D-M) leg channel is used for one of the outer planks. All other planks making up the walkway width have male-female (M-F) leg configurations.
- ✓ v 3. **Count the pieces of plank needed for the correct length and width.** Simply count the pieces of each type plank needed to achieve overall length and width. Planks are available in twenty (20) and twenty-four (24) ft. lengths and may easily be field cut to size.
- ✓ v 4. **Determine required number of bolt assemblies.** For every 20/24-ft. section of plank—a total of FOUR (4) bolt assemblies are required. Two (2) bolt assemblies are used to secure walkway plank section ends to “nearest” standing-seams. The remaining two (2) bolt assemblies are installed at standing-seams about six to eight feet apart, depending on the spacing of the standing-seams.

P A R A L L E L

For Walkways Running Parallel to the Standing-Seam: Steps 1, 2, 3, 5 and 6.

- ✓ v 5. **Determine the required number of support plates for each run.** (A) Determine number of planks needed following steps 1, 2, and 3 of the Perpendicular run plan. (B) Deter-

mine the correct number of support plates, (included with plates are the required mechanical fasteners). Two (2) support plates are required for the first five feet of grating and one (1) support plate for every five feet thereafter. Support plates must be installed at:

- Each end of a parallel run
- At every butt joint
- Approximately every five feet between each plank section (preferably over the roof perlin)

- ✓ v 6. **Consult an authorized ROOFWALKS® representative.** After completing the initial planning, contact an authorized ROOFWALKS representative to complete your plan and prepare the order. Provide the representative with the following:
 - **Brand name and style of roof**
 - **Roof pitch* (degree of angle)**
*Special considerations required for pitched roofs over 2:12 pitch.
 - **Center-to-center distance between roof seams**

✓ MEMBRANE & GROUP G ROOFS . . .

Membrane, Foam and Coated Roofs Steps 1, 2, 3, 7, 8.

- ✓ v 7. **Determine the required number of support stands for each run.** Two (2) support stands are required for the first five feet of grating and one (1) support stand for every five feet thereafter. In addition, one (1) support stand must be used at each butt joint. It is shared by both lengths of run. Each “support stand assembly” includes all necessary mechanical fasteners and a rubber pad for proper installation.
- ✓ v 8. **Consult an authorized ROOFWALKS representative.** After completing the initial planning, contact an authorized ROOFWALKS representative to complete your plan and prepare the order.

INSTALLER NOTE: Installer must determine the compatibility of ROOFWALKS standard “rubber pad” for the specific application. In cases where this pad is not compatible, installer should recommend and furnish the appropriate protective pad.

SPECIFICATIONS

INSTALLATION EXAMPLE

EXAMPLE: Follow ▽ Dot

Typical Metal Standing-Seam Installation (Groups A-B-C-D-E-F)

▽ **PROBLEM:**

You need a rooftop walkway, running perpendicular to the standing-seams, and one that extends from the roof door across the roof to the HVAC compressor.

EXAMPLE: Follow ▽ Dot

Typical Membrane Installation (Group G)

▽ **PROBLEM:**

You need a rooftop walkway from the access door extending across the roof to the HVAC compressor.

▽ ▽ **SOLUTION:**

ROOFWALKS® ROOFTOP WALKWAYS

- ▽ ▽ 1. The measured distance is found to be 30-ft.
- ▽ ▽ 2. It is determined that a 24-in. width would provide adequate access to the HVAC equipment. This would be assembled utilizing two (1) 12-in. width of plank with male-female (M/F) channels and one (1) 12-in. width of double-male (D-M) channels.
- ▽ ▽ 3. To make the 30-ft. run, two (2) sections of walkway will be needed, (a 20-ft. section and a 10-ft. section). Each section will contain three (3) pieces of United Interlock® plank grating. The finished run will be made up of six (6) pieces as follows:
 - (2) M-F pieces. . . 20' x 12" x 2-1/2" = 40 lineal feet
 - (2) D-M piece. . . 20' x 12" x 2-1/2" = 40 lineal feet

(80 lineal feet)
- ▽ ▽ 4. To construct this run, the following planks are to be ordered:
 - (2) M-F planks. . . 20' x 12" x 2-1/2" = 40 lineal feet
 - (2) D-M planks. . . 20' x 12" x 2-1/2" = 40 lineal feet

(80 lineal feet)

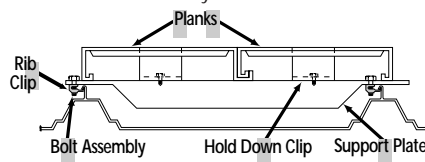
One (1) of the M-F planks and one (1) of the DD-M planks would be cut into 10-ft. sections. The remaining 10-ft. D-M and M-F sections may be utilized on another walkway run or discarded.

- ▽ 5. (Metal Standing Seam Applications):
The correct number of bolt assemblies is twelve (12); eight (8) for the 20-ft. section, and four (4) for the 10-ft. section. Because this walkway will run perpendicular to the standing-seams, NO support plates are required.
- ▽ 6. (Membrane & Group G Applications)
A total of seven (7) support stands will be needed.
- ▽ **SIMPLE FORMULA:**
Total Length = 30 ft. # 5' = 6 + 1 butt joint = 7 stands
*One support stand every 5 feet.

- ▽ **Standing-Seam Roofs**
- ▽ **Membrane & Group G Roofs**

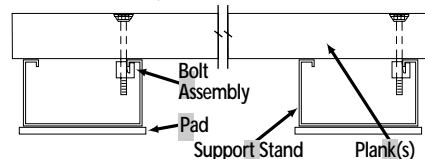
- ▽ ▽ 1. ROOFWALKS grating and supports shall be manufactured and supplied by Unistrut Corporation.
- ▽ ▽ 2. Grating shall be provided in area detailed on drawings and shall be furnished in individual units 12-in. wide or no less than 6-in. wide. Grating shall be furnished in single, unspliced sections for all requirements up to 24-ft. in length. Grating shall interlock, with male-female (M-F) legs providing a friction lock, so that no horizontal movement between units can occur. The outside leg of all runs shall be male.
- ▽ ▽ 3. Grating shall be manufactured from zinc-coated, carbon steel of structural quality as specified in ASTM designation A-446, Grade A. The coating shall be Class G-90. Material shall be 18-gauge with a leg height of 2-1/2 in. The surface pattern shall provide at least 35% open area and no more than 42% open area. Openings shall be at least 4-in. long and no more than 3/4-in. wide. The surface design shall be anti-skid.
- ▽ ▽ 4. The anti-skid surface, where specified, shall provide 360° positive traction and be made up of tapered, self-cleaning teeth, approximately 1/8-in. wide by 3/8-in. long and be uniformly spaced with not less than 60 or more than 80 teeth per square foot.
- ▽ ▽ 5. System will carry a uniform live load of 189 pounds per square foot and a concentrated load of 426 pounds per plank. (see load tables in grating catalog G-1).
- ▽ ▽ 6. Complete test reports indicating maximum allowable loading, both uniform and concentrated, and the associated deflections must be provided for all products. Load/deflection information must be substantiated and certified by actual tests (not theoretical) using methods outlined in the American Iron & Steel Institute's Manual, Section 6, "Specifications for the Design of Cold Formed Steel Structural Members," and include a live load safety factor of two.
- ▽ 7. The support plates for metal standing-seam rib roofs shall be manufactured by Unistrut Corporation specifically for the particular type of standing-seam rib roof which is manufactured by . . .

METAL STANDING-SEAM RIB ROOFS ONLY

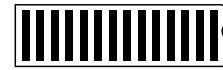


MEMBRANE AND GROUP G ROOFS ONLY

- ▽ 8. The support stands for built-up, membrane, foam and coated roofs shall be 14-gauge galvanized steel, 4-in. high by 6-in. wide. The attachments shall be bolt assemblies (4-1/2-in. long bolt with a recessed washer and rib clip).

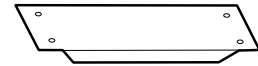


▽ **Materials and Components for Standing-Seam Metal Roofs**

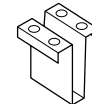


20' or 24' planks in 6", 9" or 12" widths roll formed from 18-gauge galvanized steel (G-90 coating). Planks available with double-male or male-female leg shapes. Anti-skid surface and 2 1/2" leg height standard.

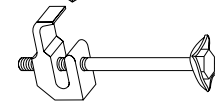
14-gauge galvanized steel sections formed to span standing-seams. Plates available for walkway widths of 18" thru 48".



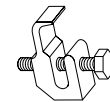
16-gauge galvanized steel clip used to secure plank sections to support plates.



Bolt with recessed washer and rib clip used to secure plank sections to standing seams.

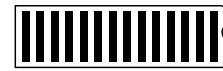


3/4" both and rib clip used to secure support plates to standing seams.



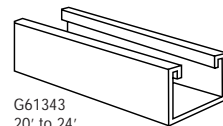
20' or 24' planks in 6", 9" or 12" widths roll formed from 18-gauge galvanized steel (G-90 coating). Planks available with double-male or male-female leg shapes. Anti-skid surface and 2 1/2" leg height standard.

▽ **Materials and Components for Built-Up, Membrane, Foam and Coated Roofs**



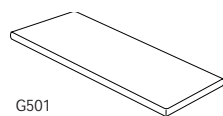
See Cat. G-1

Support stands elevate walkway planks to further reduce the impact of foot traffic and keep workers above puddles and debris. Stands are formed from 14-gauge galvanized steel. 6" wide x 4" high and are available to fit walkways with widths as follows:
20" Support stands for 18" wide walkways
26" Support stands for 24" wide walkways
29" Support stands for 27" wide walkways
32" Support stands for 30" wide walkways
38" Support stands for 36" wide walkways
50" Support stands for 48" wide walkways

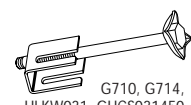


G61343
20' to 24'
Stock Lengths

Pre-cut rubber pads 1/2 inch thick absorb impact between the roof and the support stands. Since the pads do not need to be anchored to the roof, there is no roof penetration.
Pad for 18" wide walkway - 8" x 28"
Pad for 24" wide walkway - 8" x 28"
Pad for 27" wide walkway - 8" x 31"
Pad for 30" wide walkway - 8" x 34"
Pad for 36" wide walkway - 8" x 40"
Pad for 48" wide walkway - 8" x 52"



G501



G710, G714,
HLKW031, GHCS031450

4 1/2" bolt with recessed washer and 5/16" lock washer and rib clip used to secure walkway planks to support stands.

ABOUT OUR WARRANTY

ROOFWALKS® LIMITED WARRANTY

Unistrut Corporation, for a period of one (1) year from the date of shipment (for “material only” sales), or one year from the date of completion of installed work by authorized installers (for products sold on an “installed” basis), that a ROOFWALKS product will be free from defects in materials and/or workmanship at the time of delivery. In the event of any such defect, Unistrut Corporation shall, at its option, repair or replace such defective product.

To obtain a copy of the complete warranty terms (including limitations and restrictions) for any specific ROOFWALKS Rooftop-Walkway system, please contact an Authorized ROOFWALKS Distributor or call the HELPMAN 1•800•521•7730.

ROOFWALKS®

R O O F T O P W A L K W A Y S

GROUP-F SYSTEM INSTALLATION LIABILITY

Unistrut Corporation will not be liable for any direct, indirect, consequential, special, contingent or incidental damages whatsoever in connection with the installation of ROOFWALKS Rooftop-Walkways on Group G building roofs due to the necessary roof penetration for proper installation.

Product specifications, descriptions or dimensions subject to change without notice.

Due to industry supply and demand, some items or parts may not be exactly as pictured.

Unistrut reserves the right to substitute parts or assembly packs as necessary.

While every effort has been made to assure the accuracy of information contained in this catalog at the time of publication, we cannot accept responsibility for inaccuracies resulting from undetected errors or omissions.

© Copyright 1995, Unistrut Corporation. All rights reserved.

PROJECT ESTIMATING SHEET

ORIGINAL FORM:

Please Make Machine Copies Before Using This Sheet

PROJECT: _____

JOB NO: _____ DATE: _____

BUILDER: _____

ADDRESS: _____

CITY: _____ ST: _____ ZIP: _____

PHONE: () _____ FAX: () _____

Type of Roof

MANUFACTURER: _____

TYPE: _____

STANDING SEAM PANEL RIB (12-inch O.C.)
 • Groups A, B, C, D, E • Group F

BUILT-UP, MEMBRANE
 • Group G

Width of New Walkway

18-inches 24-inches 27-inches

36-inches 48-inches

Lineal Feet of New Walkway

Round off inches to next foot.

PARALLEL TO SEAM: l.f.

PERPENDICULAR TO SEAM:..... l.f.

Membrane Rooftops

RUNNING LENGTH: l.f.

Standing Seam Roof Support Assemblies

WORK FORMULA (Refer to page 20, item 5)

PARALLEL TO SEAM: One (1) Support Plate Assembly every 5-lineal feet PLUS, add one (1) per end of each parallel section run.
 Quantity: _____

Standing Seam Roof Bolt Assemblies

PERPENDICULAR TO SEAM: Four (4) Bolt Assemblies required for each grating plank, running perpendicular to seams.
 Quantity: _____

Panel Rib Roof Support Assemblies

12-inch O.C.: One (1) Support Plate Assembly every 5-lineal feet. PLUS, add one (1) per end of each section run.
 Quantity: _____

Quantity of Plank Grating*

* **IMPORTANT:** WASTE: Allow for installation waste; minimum of 5%
 MALE / MALE: M/M planks required for installation along one edge (length of run) for "finished-off" treatment of walkway.

MALE / FEMALE PLANK PLANK WIDTH	MALE / MALE PLANK PLANK WIDTH
6-inch _____ l.f.	6-inch _____ l.f.
9-inch _____ l.f.	9-inch _____ l.f.
12-inch _____ l.f.	12-inch _____ l.f.

Provide a Layout of Walkway

- Please enclose a layout of planned ROOFWALKS Walkway System.
- Included for use in this kit are grid format forms.
- If forms are not available, provide layout on a separate sheet of plain paper. Be sure to include direction of standing seams or panel ribs.



tyco

Flow Control

UNISTRUT®

24400 Sperry Drive Cleveland OH 44145
(440)348-9460
www.unistrutohio.com