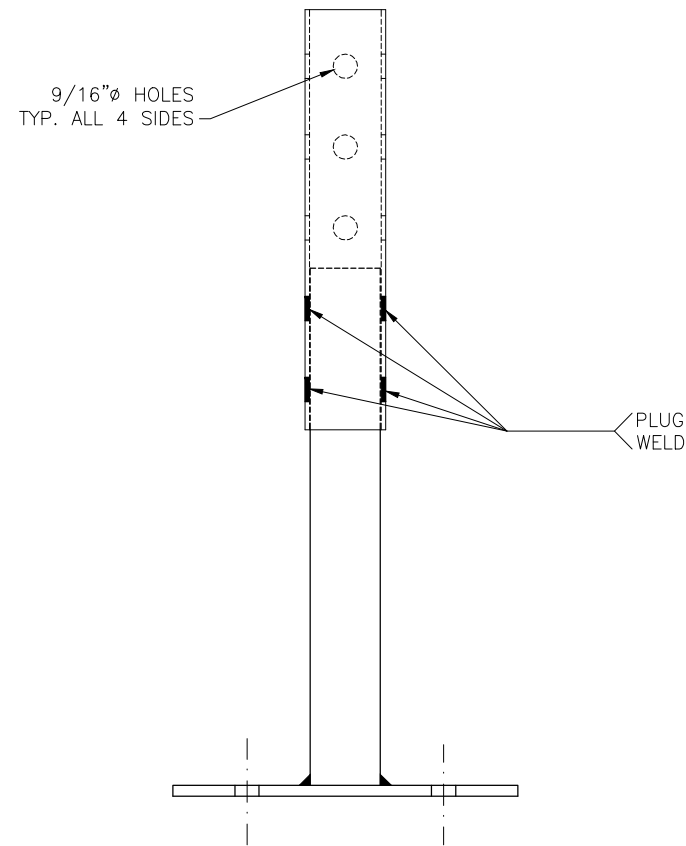
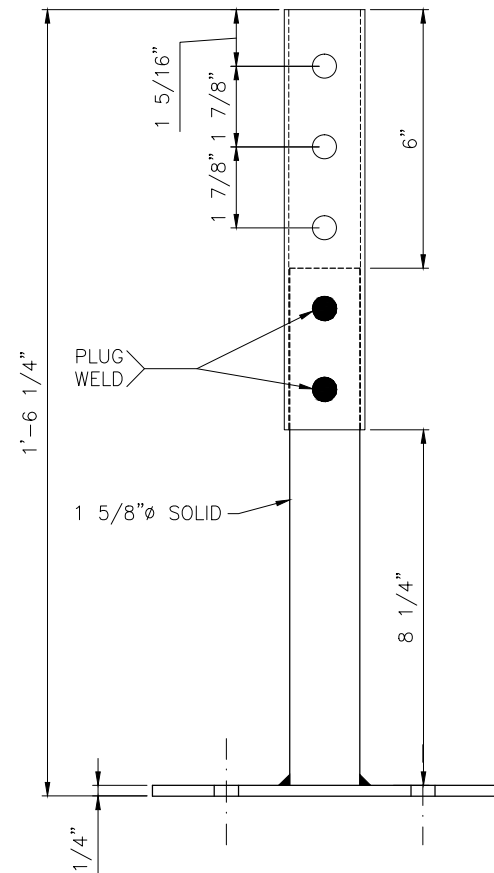


Common Finish is Plain Raw Steel or Metallic Gray Powder Coat

THE STANDARD DETAIL IS FOR REFERENCE ONLY, AND IS *ONLY* CONSIDERED AN ENGINEERED SYSTEM WHEN PURCHASED THROUGH UNISTRUT SERVICE COMPANY 24400 SPERRY DR. WESTLAKE, OHIO 44145. THESE STANDARD DETAILS VIA OUR WEB SITE ARE FOR REFERENCE ONLY. ACTUAL CONDITIONS, INCLUDING BUT NOT LIMITED TO LOADING, ELEVATIONS, OVERALL SIZE, SPACING BUILDING STRUCTURE, FIELD CONDITIONS, MEP INTERFERENCES, ETC CAN AND WILL VARY. CONTACT UNISTRUT SERVICE COMPANY AT 440-348-9450, OR WWW.UNISTRUTOHIO.COM FOR A SITE SPECIFIC QUOTE.



RSM-001
 NOT TO SCALE

Unistrut Service Company
 24400 Sperry Drive
 Cleveland, OH 44145
 Phone: 440-348-9450
 1-800-621-2508
 Fax: 440-348-9455
 E-Mail: info@UnistrutOhio.com

CLIENT:
 UNISTRUT SERVICE COMPANY

PROJECT DESCRIPTION:
 USCO
 WESTLAKE OHIO

DRAWING TITLE:
 RSM001

REV. NO.	DATE	REV. DESCRIPTION	DRAWN BY:	DATE:	PROJECT NO.	DWG NO.	REV
0		OWNER APPROVAL	AMK/D.TURK	12/20/18	7010		0

SCALE: AS NOTED